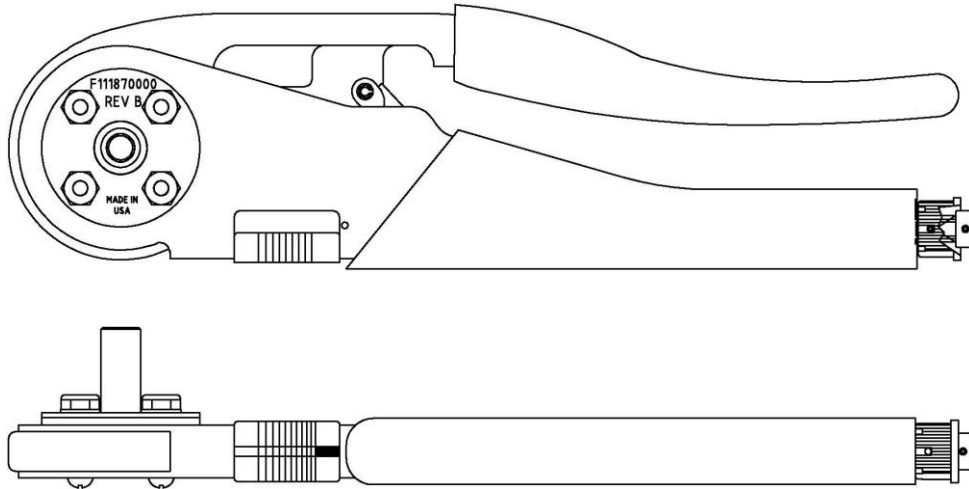




ASTRO TOOL CORP.

CONNECTOR ASSEMBLY TOOLING HOW TO USE THE LARGE DEDICATED CRIMP TOOL Catalog Number 620667



GENERAL

The 620667 is a cycle controlled hand crimping tool. It is a fast, versatile, manually operated, octadent tool for crimping circular pin and socket contacts.

This tool is configured for one specific wire size and is set to .071" at the factory and locked in place. The 620667 also includes a locator that is permanently attached. No operator adjustments are required.

For long life and optimum performance, this tool should be kept clean and handled carefully, as any other precision instrument.

OPERATION

Open and close the tool several times and observe the precision cycle control ratchet mechanism. Note that the tool may not be opened or closed without completing the cycle.

TOOL GAGING

It will be necessary to verify the opening by using a gage pin assembly. Gage, 620667-G, is available to properly gage this hand tool. Close the tool completely and insert the GO end of the gage assembly between the indenters, as shown in figure #1.

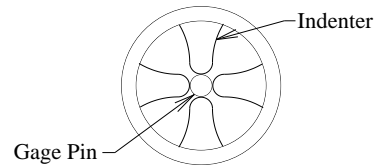


Figure #1

The GO pin should slide freely between the indenter tips.

Close the tool down completely and insert the NO GO end of the gage assembly into the indenter opening as shown in figure #1.

The NO GO pin must NOT go between the indenter tips.

**CAUTION:
DO NOT CRIMP GAGE
TOOL DAMAGE WILL RESULT.**

TOOL SERVICE

Astro Tool's 620667 Crimp Tool is designed for long, reliable service. If the tool becomes inoperative or does not gage properly, it is suggested that you contact our Customer Service Department for a Return Goods Authorization number and return the tool to our factory.

Upon receipt of the tool, Astro will inspect and overhaul each tool to put the tool back into acceptable and efficient operating condition. Worn parts will be replaced or repaired.

Service charges for tools not under warranty will be advised upon request.

Parts that Astro deems to have been damaged due to neglect, misuse or accident; and parts that have been altered or repaired by persons other than Astro Tool Corp. employees will be replaced subject to additional charge for such parts.

**ASTRO TOOL CORP. MANUFACTURERS OF INSERTION, REMOVAL,
CRIMP TOOLS AND CONNECTOR SERVICE KITS**