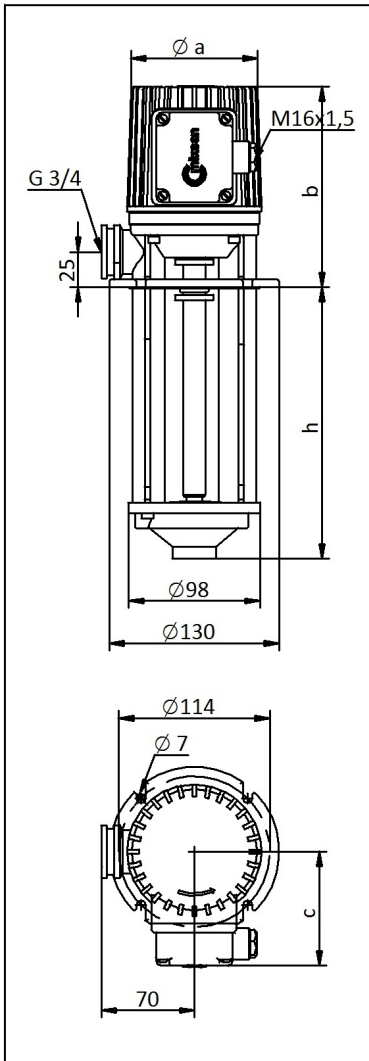


DIMENSIONS & NOMINAL VALUES



TYPE	Depth of Immersion h (mm)	mm			Weight kg	Power kW	Voltage V(ΔY)	Frequency Hz	Rated Current A	Speed rpm
		a	b	c						
AP/11	110	96	152	83	2.80	0.09	230/400	50	0.48/0.28	2830
AP/16	160				2.83					
AP/21	210				2.85					

* Pump dimensions according to EN 12157.
 ** The performance curves are based on 1 mm²/s (cSt) kinematic viscosity values and 1000 kg/m³ density
 *** Curve tolerance according to EN ISO 9906.

Performance Curve

