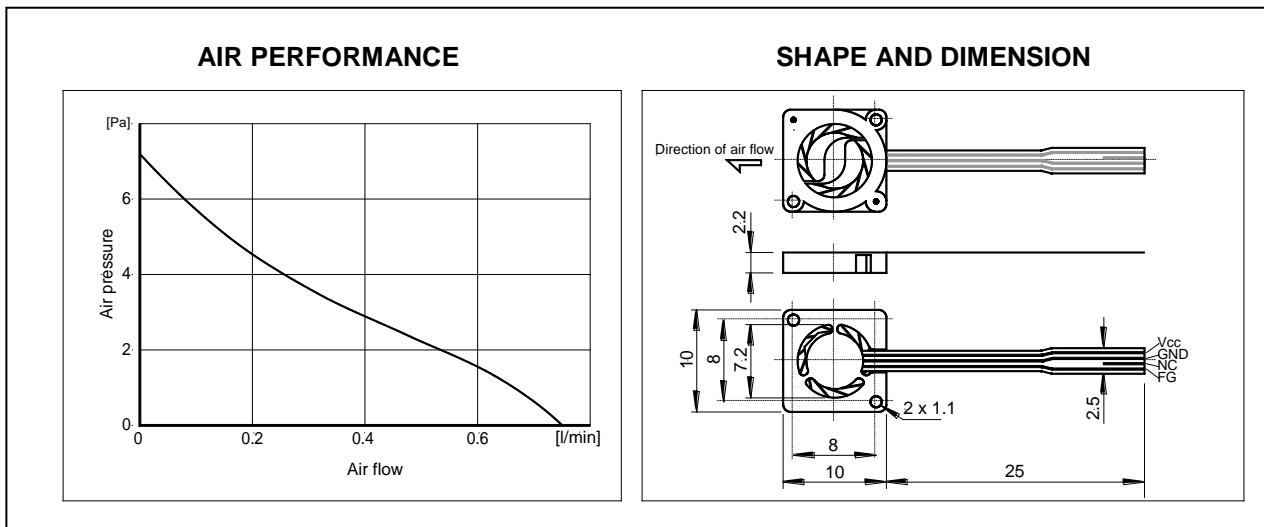


HY10A03A

HIGH PERFORMANCE MINIATURE FAN



PERFORMANCE (not for new design)

CE	HY10A03A	
Operating voltage	[VDC]	3.0 ... 3.3 ... 3.6
Typ. operating current	[mA]	50
Max. start current	[mA]	100
Max. air flow	[l/min-m ³ /h]	0.8 – 0.05
Max. air pressure	[Pa-mm/H ² O]	7.0 – 0.7
Typ. noise (1m dist from air intake side)	[dB(A)]	-2
Typ. rotor speed	[RPM]	13000
FG	[PPR]	3
Operating temperature	[°C]	-40 ... +85
Life expectancy L10/MTBF@ 40°C	[h]	30000/140000
Bearing system		Magfix sleeve bearing
Weight	[g]	0.3
Standard packing quantity	[Pcs.]	50-100-500-1000

This **SEPA**[®] high-tech miniature fan is suitable for industrial or automotive use and has a remarkable air flow performance despite its small dimensions. Thanks to the extremely low power input of a mere 0.17 W, this fan is highly suitable for battery-operated devices. It is permanently protected electrically against reverse polarity, blocking and thermal overloading. Due to the low rotor weight it is virtually vibration-free. It is also insensitive to shock.

Further features of this fan are its extremely robust and torsionally stiff metal housing of stainless steel, a Polyimide-film PCB and absolute reliability due to a 100% burn-in.

HY10A03A

HIGH PERFORMANCE MINIATURE FAN



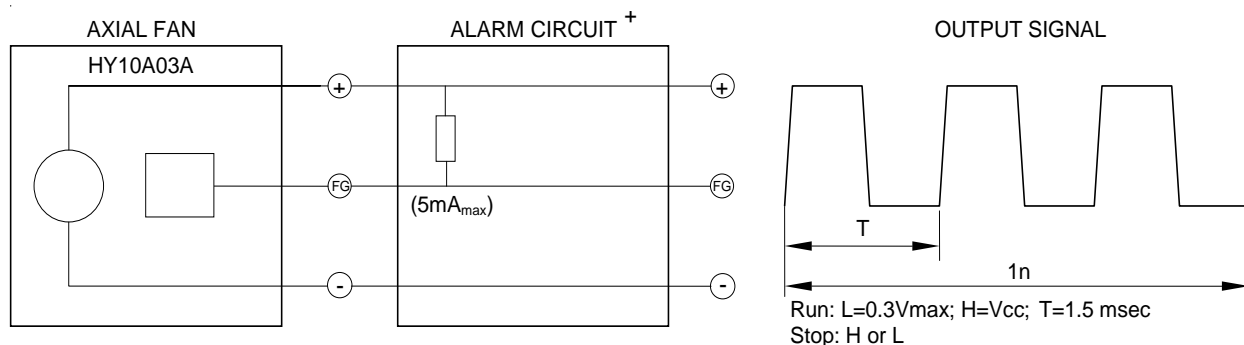
• ALARM SIGNAL

The **SEPA**® fan HY10A03A includes a pulse output, which allows monitoring the correct function of the fan.

The pulse is like a rectangular wave, the frequency correlates to 3x rotor speed. The amplitude is about Vcc and appears periodically. At blocked rotor the output could be L ($\leq 0,3V$) or H (Vcc).

IMPORTANT: The pulse output is not protected against short circuit and must not connect to GND or Vcc without a series resistor. A pull-up-resistor is needed. Do not connect not used pulse output (insolate).

The connections of the HY10A03A are made by a flat PCB-cable, adapted for: MOLEX 51379-0495, HRS FH19-4S-0.5SH or JST 04FHZ-SM1-TB.



• ACCESSORIES:

Connector JST 04FHZ-SM1-TB: included

• ORDER INFORMATION (while stock)

HY10A03A **SEPA**® Miniature fan, 10x10x2.2mm, 3.3VDC, Magfix sleeve bearing, **CE**, 101011010

SEPA® is the brand name for fans and CPU-cooler, made by Nippon Keiki Works LTD., Tokyo

Technical changes without notice • 10/15