

PNEUMATIC CLUTCH

NE Type



Description

The EIDE NE type pneumatic clutch is a compact pneumatic clutch unit, declutching by the reaction of springs. The cylinder is supplied radially with compressed air at 5.5 bars. The air consumption is minimum and the chamber has chromed machined linings for optimum performance.

The driving part is incorporated in to the assembly with 2 bearings, there is a cylindrical area with axial threaded holes to attach a sprocket or pulley (see photo) or an elastic coupling to adapt two aligned shafts.

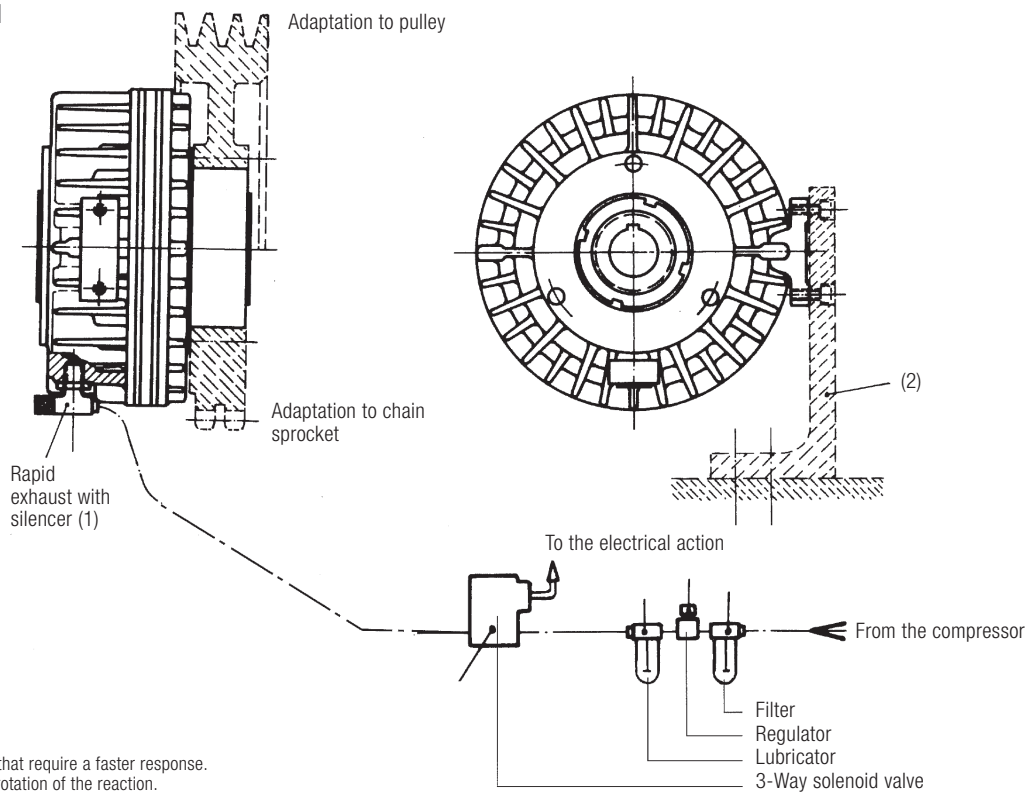
With a correct regulation of the air pressure, we can obtain control over the machine's acceleration time as well as a limitation of the torque transmitted with the corresponding safety for the rest of the mechanisms.

For a rapid response, it is convenient to fit the solenoid valve directly to the body of the clutch, enabling the removal of the rapid exhaust valve.

Using solenoid valves of the same size as indicated in dimension K will ensure correct functioning.

EXAMPLES OF ASSEMBLY

Construction 1

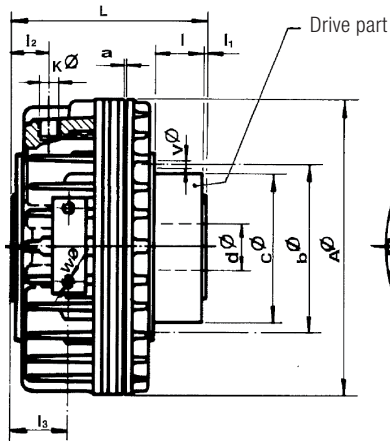


(1) Only in productions that require a faster response.
 (2) Support for locking rotation of the reaction.

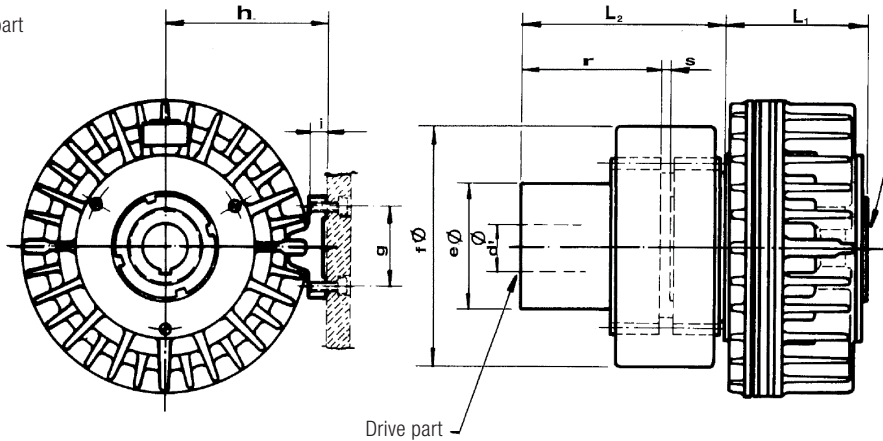
PNEUMATIC CLUTCH
NE Type



Characteristics and dimensions



Construction 1.1



Construction 1.2

SIZE		1,75	3,5	7	14	28	55
Clutch torque (at 5.5 bars)	da. Nm.	1,75	3,5	7	14	28	55
Max. RPM	n	2500	2000	1700	1500	1200	1000
J driven part	kg cm²	7	25	55	125	410	675
Mass build 1.1		3,7	6,8	11	17,5	30	44
Volume air chamber new		9	16	30	58	90	160
used	cm³	14	26	48	90	160	266



	A	120	150	180	216	265	320
	b	72	85	98	115	132	160
	c	62	74	87	102	115	140
standard	d	19	24	28	38	42	55
max.	d	19	25	32	42	48	60
max.	d₁	34	42	50	60	70	85
	e	55	78	92	108	123	150
	f	95	120	135	155	173	210
	L	92	102	114	126,5	142	163
	L₁	65	75	83	93,5	109	122
	L₂	81,5	96,5	116	138	151,5	177,5
	l	26	26	30	32	34	40
	l₁	1	1	1	1	1	1
	l₂	15	17	19	23	27,5	27,5
	l₃	22	26	33	33	36	45
	h	73	87	101	123	145	172
	i	10	10	10	13	13	13
	g	42	42	42	50	50	50
	w	M6	M6	M6	M8	M8	M8
	v	6 x M5	6 x M6	6 x M6	6 x M8	6 x M10	6 x 12
Gas thread	k	1/8"	1/4"	1/4"	3/8"	3/8"	1/2"
	r	50	65	80	100	110	130
	s	4,5	4,5	5	5	6,5	6,5