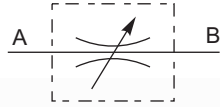


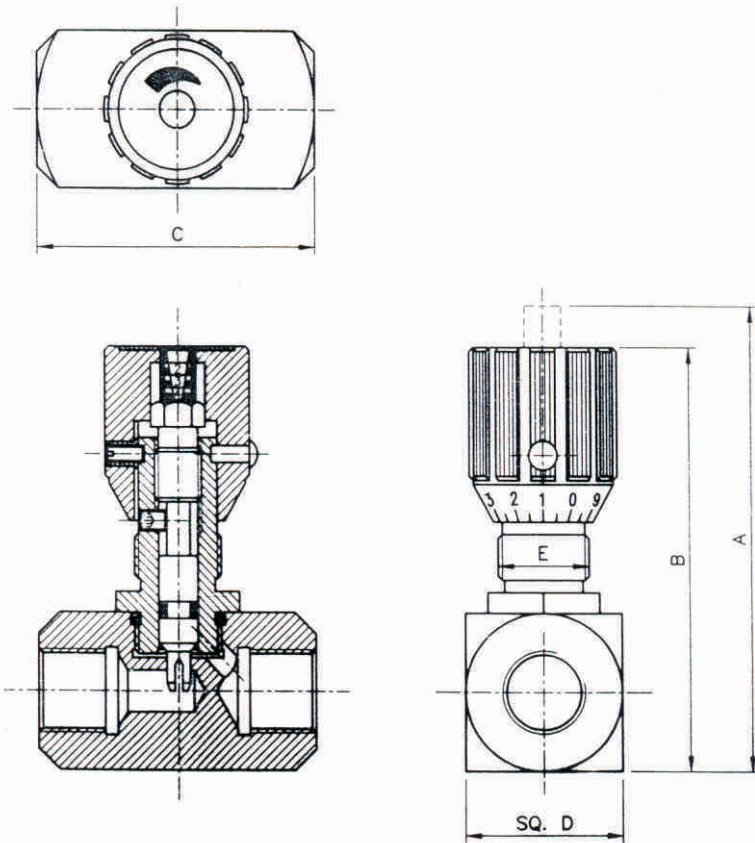
FLUTEC VALVES

"FLUTEC" Flow Control Valves - without Check Valve (Model Code -DV 6 to 40)



Description :

- Flutec Valves are designed to provide simple and accurate control of hydraulic fluids.
- By increasing number of turning of the control knob, starting from the closed position the flow increases evenly.
- The last turning results in a complete opening of the flow passage.
- The coloured scale and coloured ring in the top of the control knob permits an accurate repetition of settings and visual indication of the flow area.
- Increase in the size of the coloured triangle on the rings corresponds to an increase in flow area.
- A setscrew is provided in the side of the knob to lock the flow control valve in set position to comply with safety standards.



Model Code	Port Size	A	B	C	D	E	F	øG	øH	Weight Kg.
DV-06	1/8"	55	50	8	25	19	38	24	13	0.12
DV-08	1/4"	72	65	12.5	30	24	48	29	19	0.25
DV-10	3/8"	74	67	15	32	29	58	29	19	0.40
DV-12	1/2"	92	82	17.5	38	34	68	38	23	0.70
DV-16	3/4"	105	96	22.5	45	39	78	38	23	1.2
DV-20	1"	145	128	25	50	54	108	49	38	2.1
DV-25	1-1/4"	150	133	30	60	54	108	49	38	2.8
DV-30	1-1/2"	155	138	35	70	54	108	49	38	3.5
DV-40	2"	200	183	40	80	65	130	49	38	5.1

All Dimensions are in mm.

FLUTEC VALVES