

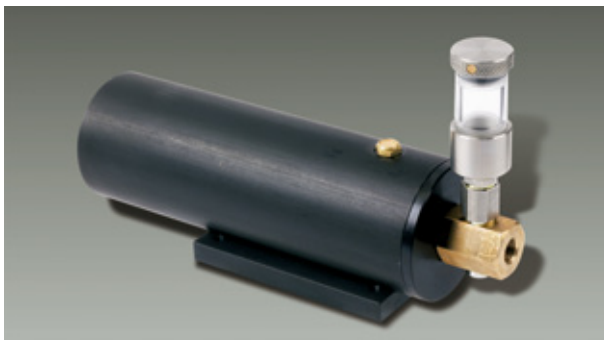
KOSTYRKA® AUTOMATIC REFILLING DEVICE – AUTOMATIC VENTING, SERIES 4610.10.



The KOSTYRKA® automatic refilling device was specially developed for using KOSTYRKA® air-oil hydraulic pressure intensifiers.

In a closed high-pressure system, it is particularly important to ensure perfect and complete venting when the oil volume is limited. It is also necessary to compensate for drag oil losses, which are very minor but nevertheless noticeable over time. The KOSTYRKA® automatic refilling device 4610.10

The KOSTYRKA® automatic refilling device can also be installed directly on the hydraulic pressure intensifier.

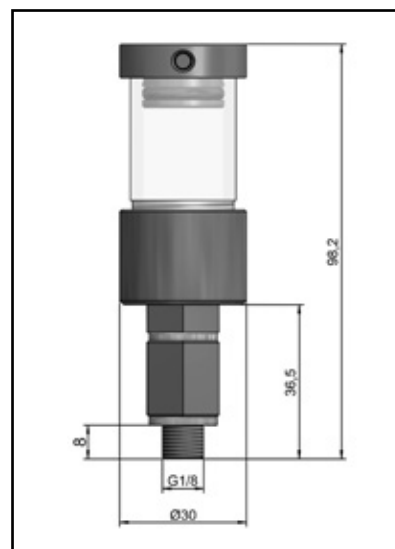


meets both of these requirements. Installed at the highest point of the hydraulic system, it completely vents the entire system after only a short time. Provided that there are no „air traps“, the oil volume of the KOSTYRKA® air-oil hydraulic pressure intensifier can be used in its entirety.

Set-up and function

The KOSTYRKA® automatic refilling device must be installed upright because of the way it works. When the hydraulic pressure is being built up in the system, the integrated valve closes immediately and seals hermetically so that the pressure can build up. When it is being relieved, the valve frees up the passage to the inspection glass once again and oil can flow into the hydraulic system.

Caution: Despite all protective measures, very small particles or suspended material can impair the valve function! When filling the automatic device, it is therefore essential to ensure absolute cleanliness of the hydraulic oil being used.



Automatic refilling device 4610.10

Pressure medium: Mineral oil-based hydraulic oils with a kinematic viscosity up to max. 32 mm²/s (32 cSt) at 40° C. Maximum pressure: 450 bar; Replenishment volume: 9 ml (20 ml or 66 ml on request); Installation position: Upright only, connection downwards.