

Industrial Microwave +
Plasma Systems



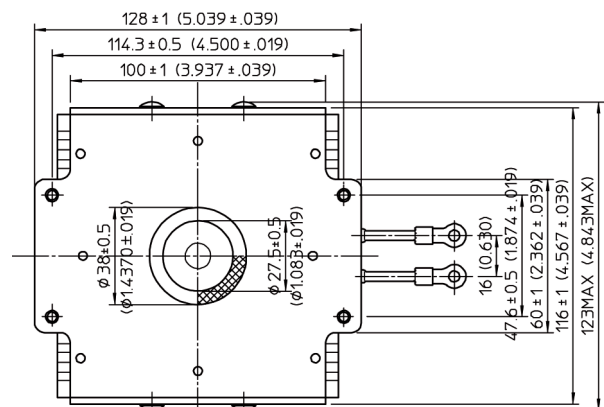
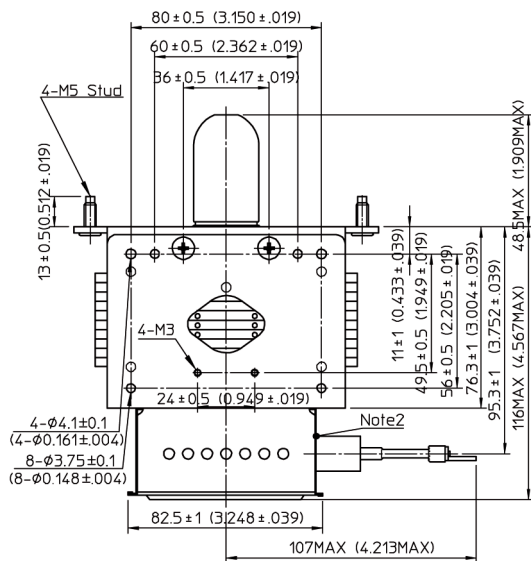
Magnetron MB2568A-120CH

For industrial use, S-band (2450 MHz)

Features:

- 2450 MHz
- 2030 W Power output (matched load)
- Water-cooled anode
- Packaged magnet
- Probe output

Tube Outline Dimensions (mm)(Basis type):

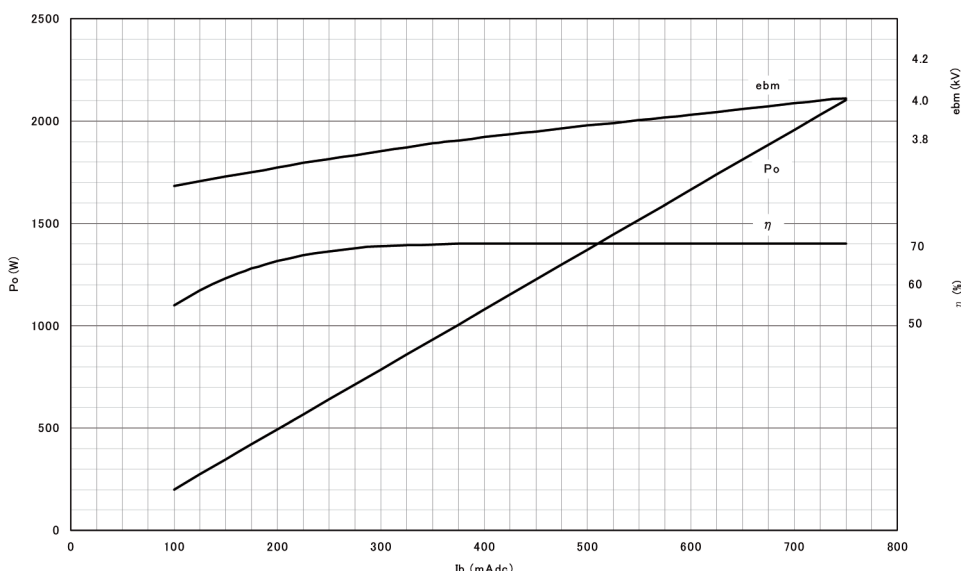


Magnetron MB2568A-120CH

Industrial Microwave +
Plasma Systems



Performance Chart (Basis type):



Specifications:

Characteristic	Specification	Typical
Frequency of operation:	2440 MHz - 2470 MHz	2455 MHz
Frequency variations:		+/-15 MHz
CW Power output:		2030 W
Anode voltage:	3.8 kV - 4.2 kV	4.0 kV
Anode current:	max. 750 mA	725 mA
Filament voltage (standby):	4.4 V - 5.0 V	4.6 V
Filament current:	18 A - 22 A	20 A
RF launch type:	Into rectangular waveguide or into oven cavity directly	
Basis type:	2M259-M12 (Panasonic)	
Cooling		
Water-cooled:	3 l/min; 3bar	
Net weight:	Approx. 2.8 kg	