

Industrial Microwave +
Plasma Systems



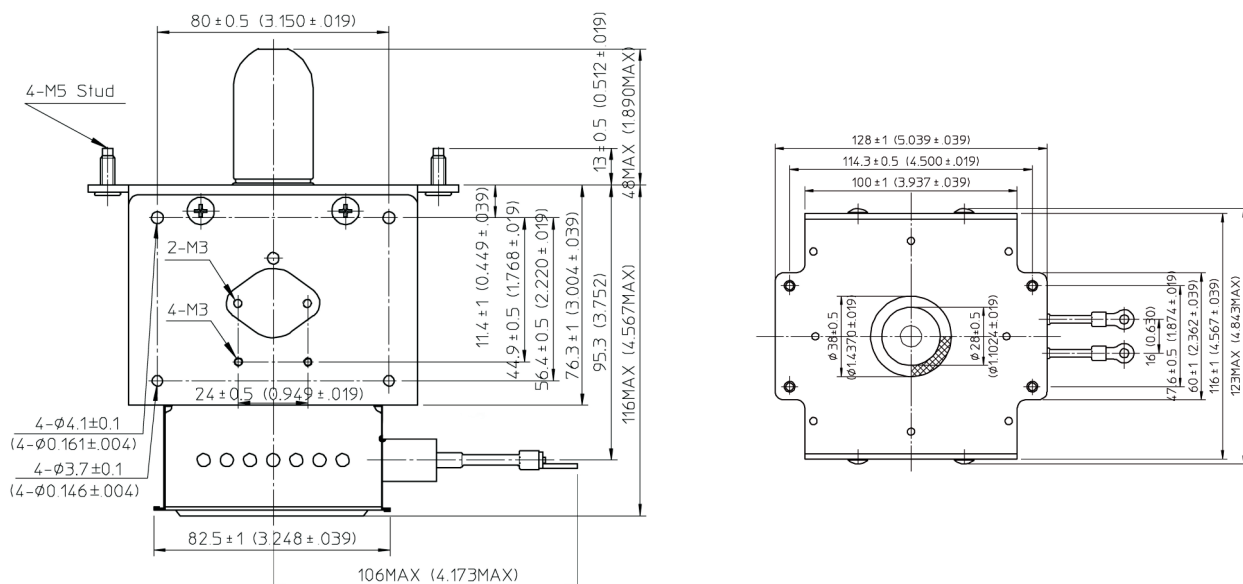
Magnetron MB2658A-120EL

For industrial use, S-band (2450 MHz)

Features:

- 2450 MHz
- 3 kW Power output (matched load)
- Water-cooled anode
- Water connectors: 1/4" lock nipple
- Packaged magnet
- Thermo switch 50 °C

Tube Outline Dimensions (mm(inch))(Basis type):

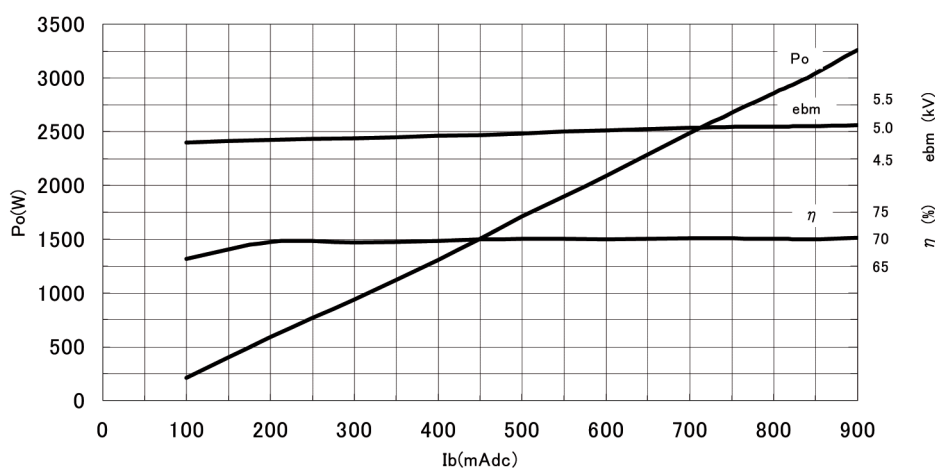


Magnetron MB2658A-120EL

Industrial Microwave +
Plasma Systems



Performance Chart (Basis type):



Specifications:

| Characteristic | Specification | Typical |
|-----------------------------|---|-----------|
| Frequency of operation: | 2440 MHz - 2470 MHz | 2455 MHz |
| Frequency variations: | | +/-15 MHz |
| CW Power output : | | 3 kW |
| Anode voltage: | 4.9 kV - 5.3 kV | 5.1 kV |
| Anode current: | Max. 900 mA | 840 mA |
| Filament voltage (standby): | 3.8 V - 4.4 V | 4.0 V |
| Filament current: | 20 A - 24 A | 22 A |
| RF launch type: | Into rectangular waveguide or into oven cavity directly | |
| Basis type: | 2M266-M12WJ (Panasonic) | |
| Cooling | | |
| Water-cooled: | 3 l/min; 3 bar | |
| Net weight: | Approx. 2.9 kg | |