

BW-Fixatoren®

Serie LS

...for the Levelling
and Fixation of
Light Machinery and
Additional Sets

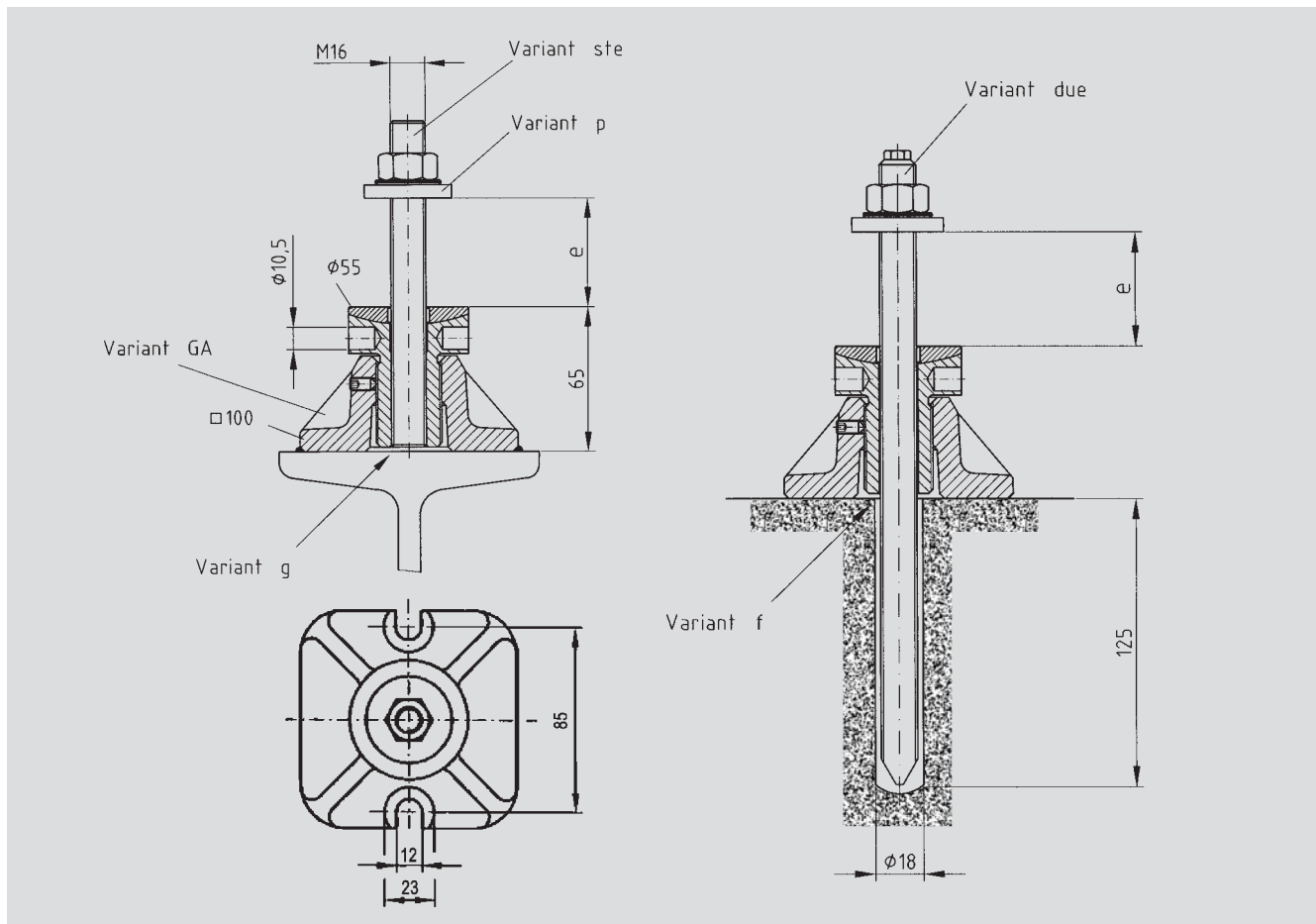
Installation Varieties and
Technical Information



BWF

...the best for accuracy.

Dimensions and Technical Data of Serie LS



Description

GA

consists of the housing, threaded levelling element and spherical bearing plate

g

levelling element with inside thread M16

f

levelling element with inside hole $\varnothing 17$

ste

clamping stud M16 x 150 for max. $e = 80$ mm

due

resin anchor, capsule and stud M16 x 300 for max. $e = 60$ mm

p

Spherical washer set for non-parallel bearing surfaces $\varnothing 40 \times 10$

c

Side anchor bolts for connecting BW-Fixator® to the foundation, 2 resin anchors and 2 studs M16 x 130 (not shown)

Technical Data

Permissible maximum load	25 KN
Permissible maximum lifting load	10 KN
Specific torque at levelling screw	45 Nm/10 ³ kg
Vertical Adjustment per screw turn	1,5 mm
Max. Adjustment	30 mm
Weight	1,6 kg

Subject to modification without notice

500/06.2002