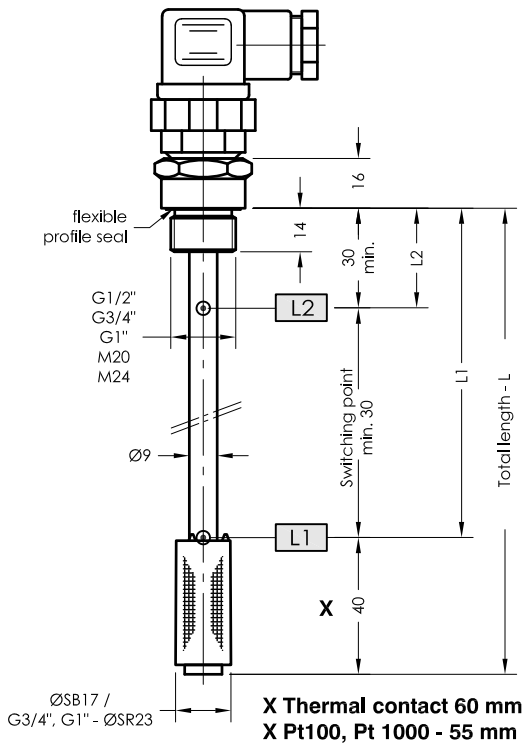


NR 1/2" - 3/4" - G1" - M20 - M24

Level regulator for tank insert

serial No. Date
IN-GB- 100 06/19



Specimen order

NR 1/2" - L250 - 01 - L1/190/S - T70Ö - M12 - 24V

Tank connection
1/2"
3/4"
G1"
M20
M24

Total length -L
of switching tube
(mm)
L = 250
L = 370
L = 500

Level contact type
01 = fixed, plain

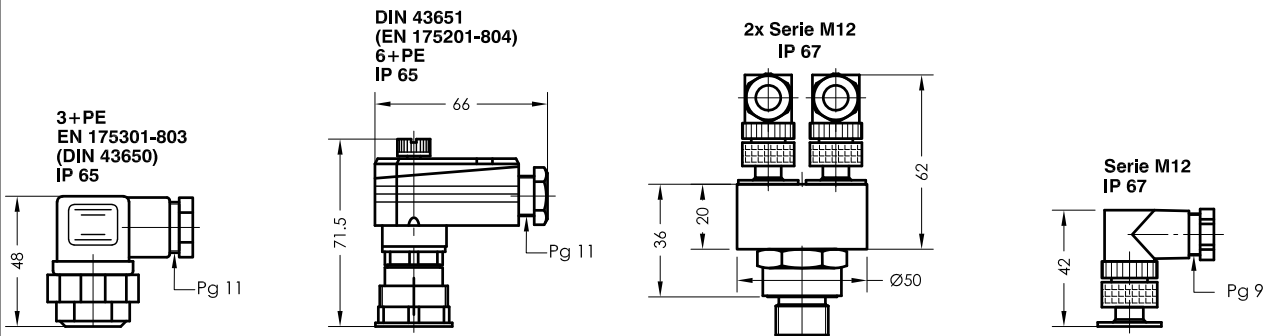
Switching point L1-L3/
mm from sealing edge
Ö = break
S = make
Function with
increasing level

Pt100
Pt1000
Thermal contact
T10Ö
T40Ö
T50Ö
T60Ö (S) (Ö preferred)
T70Ö (S)
T80Ö (S)
T90Ö
(Indicate T1... - T2...
for two thermal contacts)
Plug socket connector
3+PE
DIN 43651
2xM12
M12

Operating voltage
VDC 10-36 = 24V
VAC 10-230 = 230V

Order code

Connector variants



Description

The level regulator type NR 1/2", 3/4", G1", M20, M24 for tank insert is a solenoid switch operating without contact with the function of monitoring and regulating liquid levels and temperatures.

The switching tube contains bistable protective gas contacts, fixed in position. For fixed contacts, the contact intervals and their function must be given.

The permanent magnet built into the float switches the contacts when the level changes. The switching difference (hysteresis) is 4 mm. For temperature monitoring and regulation, thermal elements such as thermal contacts can be additionally incorporated.

The level regulator is maintenance-free when non-deposit media are used.

For inductive loads, a protective circuit must be provided (free-wheeling diode/RC element).

The device must only be installed by specialists.

Max. viscosity 150mm²/S

Technical data

Switching tube
Connection

Brass, max. L = 800mm
Brass G1/2" SW27
Brass G3/4" SW32, G1" SW 41
Brass M20 x 1,5
Brass M24 x 1,5

Nominal pressure
Temperature of medium
Float

1 bar max.
80°C max.
Plastic, type SB17 / SR23
Ceramic, type ELSB17 (seal: viton)

Level contacts
Operating voltage
Switching current
Switching potential
Thermal elements
Number of functions
Mounting position
*Thermal contacts

Make/break contacts
230V max.
Datasheet IN - GB - 003
Datasheet IN - GB - 003
Pt100, Pt 1000, thermal contact
max. 4 can be incorporated
vertical ± 30°
Sheet TR-GB-507

Technical data



GOLDAMMER
REGELUNGSTECHNIK GMBH

SCHÖLLERSHEIDER STR. 15 PHONE (49) 2104/12093
P.O. BOX 10 02 17 FAX (49) 2104/12028
D-40802 METTMANN www.Goldammer-Regelungstechnik.com