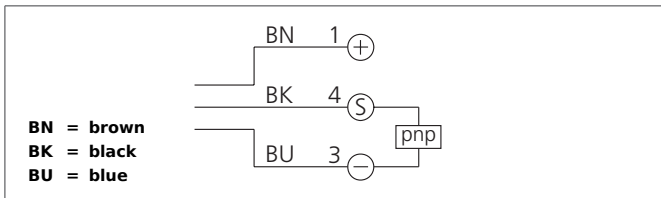


OHT 31 K 200 P1K-TSSL

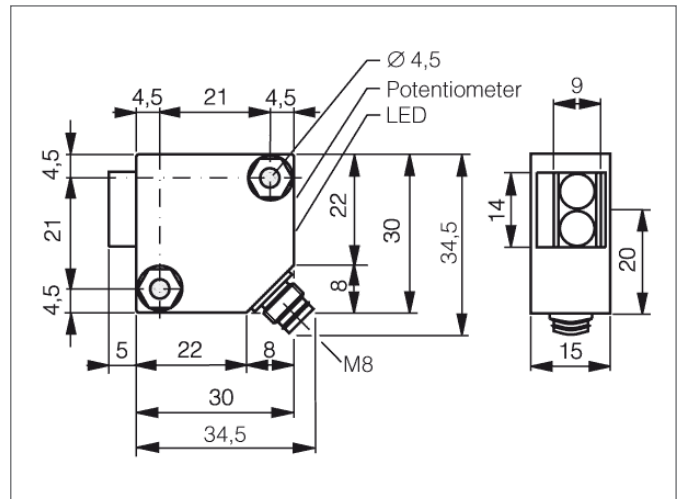
Diffuse Sensor with Background Suppression

- Small design
- Red light clocked
- 12-turn potentiometer
- Background suppression
- Sensitivity adjustable, large operating distance



Safety instructions

The Instruments are not to be used for safety applications, in particular applications in which safety of persons depends on proper operation of the instruments.
 These instruments shall exclusively be used by qualified personnel.
 Repair only by di-soric.



TECHNICAL INFORMATION		+20°C, 24V DC
Evaluation		digital
Size		35 x 30 x 15 mm (Dimensions)
Design		cuboid design
Emitted light		Red, 660 nm, clocked
Standardized measuring plate		100 x 100 mm, white
Service voltage		10 ... 36 V DC
background suppression		yes
Operating distance		15 ... 200 mm
Output		pnp, 200 mA, NO
Sensitivity adjustment		potentiometer
Internal power consumption		< 25 mA
Voltage drop		< 2,0 V
Operating frequency		500 Hz
Response-/release time		< 1 ms / < 1 ms
Switching hysteresis		< 5 %
Ambient temperature		-25 ... +55 °C
Temperature drift		0,3 %/K
Ambient light immunity		> 10 kLx
Insulation voltage endurance		1.000 V
Protection class		IP 67
Casing material		plastics
Material		glass (Window)
Connection		Connector, M8, 3-poled