

**Screw-in Immersion Heater**

Standard sizes for application in water					
Power (W)	2000	3000	4500	6000	7500
Input Voltage (V)	230	230	230	230	230
	400	400	400	400	400
Immersion Length (mm)	190	250	375	475	600
Number of Tubes	3	3	3	3	3

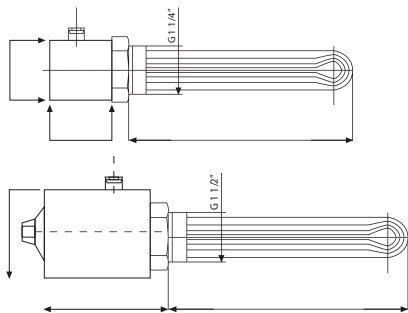


**Description** Heating elements for direct heating of Liquids, viscous substances, gases

**Features** U-bend tubular heaters that are directly immersed in the substance to be heated. Heating elements are joined to a screw plug or to a blind flange thus forming a self-contained heating unit that can be furnished with enclosure and control device if desired.

**Design Characteristics** Screw plug made of brass, St37.2 or stainless steel  
 Thread G 1 1/4", G 1 1/2", G 2"  
 2 - 6 tubes depending on thread of screw plug  
 Blind flanges IAW DIN 2527 form B,  
 Sizes B50, B65, B80, B100, B170, B175, B200, B250  
 Material St37.2 stainless steel on request  
 Number of tubular elements according to application  
 Capillary thermocouple possible,  
 temperature ranges 0 - 85°C, 30 - 110°C, 50 - 300°C  
 With enclosure, Ø 80 x 97, IP 65,  
 with temperature limiter 110°C or 135°C inside  
 Operating voltage 230V, 230/400V  
 Special voltages up to 500V  
 Installation with gasket in threaded bore or with companion nut, for flat flange with matching companion flange  
 Note that immersion heaters should not be operated under dry conditions

**Design Drawing**



DBK's knowledge of thermal management gives us the experience to guide and support you with your technical challenges - we can manage the complete project from concept to full production release.

**Applications** Boiler, heating of vessels, containers and tanks, oil tubes, oil sump of engines, hydraulic equipment, deep fat fryers, fat containers, washing machines, steam generators, laboratory equipment, medical apparatuses, instantaneous water heaters

Protection class I DIN EN 60335-1