

CMA

Centrifugal single-inlet, medium-pressure fans with casing and sheet steel impeller



Option of different impeller positions



Fan:

- Casing made from cast aluminium
- Impeller made from cast aluminium
- Models 324, 325 and 426 with polyamide impeller, model 531-2T-3 with sheet steel impeller

Motor:

- Motors with IE-2 efficiency, except for motors with lower powers than 0.75 kW and single-phase motors.
- Class F motors with ball bearings, IP55 protection, except single-phase models which have IP54 protection
- Single-phase 230V.-50Hz., and three-phase 230/400V.-50Hz.
- Max. air temperature to transport: -20°C.+ 120°C, maximum +70°C for models with polyamide impeller

Finish:

- Anticorrosive finish in polyester resin, polymerised at 190°C, after alkaline degreasing and phosphate-free pre-treatment.

On request:

- Special windings for different voltages
- Cast aluminium impellers for models 324, 325 and 426
- Fan designed to transport air up to 250°C
- ATEX Certification, category 2 (see CMA/ATEX series)

Order code

CMA — **531** — **2T** — **1,5**

CMA: Centrifugal single-inlet, medium-pressure fans with casing and impeller made from cast aluminium

Impeller size

Number of motor poles
2=2900 r/min 50 Hz

T=Three-phase
M=Single-phase

Motor power (CV)

Technical characteristics

Model	Speed (r/min)	Maximum admissible current (A)		Installed power (kW)	Maximum airflow (m ³ /h)	Sound pressure level dB(A)	Approx. weight (Kg)
		230V	400V				
CMA-218-2T	2670	0.64	0.37	0.09	265	63	6.0
CMA-218-2M	2760	0.79		0.09	265	63	6.0
CMA-324-2T	2750	1.21	0.70	0.18	440	70	9.0
CMA-324-2M	2780	1.42		0.18	440	70	9.0
CMA-325-2T	2710	1.29	0.75	0.25	600	73	11.0
CMA-325-2M	2780	1.84		0.25	600	73	11.0
CMA-426-2T	2710	1.92	1.11	0.37	850	75	13.0
CMA-426-2M	2780	2.53		0.37	850	75	13.0
CMA-527-2T	2760	2.57	1.49	0.55	1000	80	14.8
CMA-527-2M	2810	3.49		0.55	1000	80	14.8
CMA-528-2T-1	2770	2.78	1.60	0.75	1250	82	23.5
CMA-528-2M-1	2810	4.50		0.75	1250	82	23.5
CMA-528-2T-1.5	2860	4.20	2.40	1.10	1750	83	26.0
CMA-528-2M-1.5	2820	6.51		1.10	1750	83	26.0
CMA-531-2T-1.5	2860	4.20	2.40	1.10	1790	84	29.0
CMA-531-2M-1.5	2820	6.51		1.10	1790	84	29.0
CMA-531-2T-2	2770	5.44	3.13	1.50	2000	85	31.0
CMA-531-2M-2	2810	8.50		1.50	2000	85	31.0
CMA-531-2T-3	2885	7.77	4.47	2.20	2400	86	30.0
CMA-540-2T	2770	5.44	3.13	1.50	2600	85	38.0
CMA-545-2T-3	2885	7.77	4.47	2.20	2630	86	54.0
CMA-545-2T-4	2900	10.18	5.88	3.00	3550	88	64.0



Erp. BEP (best efficiency point) characteristics

MC	Measurement category	ne[%]	Efficiency
EC	Efficiency category	N	Efficiency grade
S	Static	[kW]	Input power
T	Total	[m³/h]	Airflow
VSD	Variable-speed drive	[mmH₂O]	Static or total pressure (According to EC)
SR	Specific ratio	[RPM]	Speed

Model	MC	EC	VSD	SR	ne[%]	N	(kW)	(m³/h)	(mmH ₂ O)	(RPM)
CMA-218-2T	-	-	-	-	-	-	0.114	135	43.93	2762
CMA-218-2M	-	-	-	-	-	-	0.094	126	46.20	2865
CMA-324-2T	A	S	NO	1.01	29.6%	40.6	0.183	191	104.35	2835
CMA-325-2T	A	S	NO	1.01	35.4%	45.9	0.213	243	114.01	2839
CMA-325-2M	A	S	NO	1.01	30.3%	40.4	0.253	255	110.67	2855
CMA-426-2T	A	S	NO	1.01	31.9%	41.4	0.308	316	113.86	2843
CMA-527-2T	A	S	NO	1.02	37.5%	46.1	0.441	436	139.14	2863
CMA-527-2M	A	S	NO	1.02	35.1%	43.5	0.474	442	138.23	2885
CMA-528-2T-1	A	S	NO	1.01	38.4%	46.1	0.604	631	134.95	2855
CMA-528-2M-1	A	S	NO	1.01	31.6%	38.8	0.742	646	133.04	2861
CMA-528-2T-1.5	A	S	NO	1.02	40.8%	47.4	0.926	889	156.00	2906
CMA-528-2M-1.5	A	S	NO	1.02	39.7%	46.2	0.966	918	153.51	2881
CMA-531-2T-1.5	A	S	NO	1.02	46.5%	52.4	1.144	1173	166.21	2884
CMA-531-2M-1.5	A	S	NO	1.02	41.3%	46.9	1.316	1242	160.62	2838
CMA-531-2T-2	A	S	NO	1.02	42.8%	48.5	1.258	1071	184.58	2844
CMA-531-2M-2	A	S	NO	1.02	40.7%	46.2	1.332	1082	183.69	2870
CMA-531-2T-3	A	S	NO	1.02	46.4%	51.7	1.443	1125	218.50	2937
CMA-540-2T	A	S	NO	1.02	56.1%	64.1	1.731	1778	200.51	2785
CMA-545-2T-3	A	S	NO	1.04	69.0%	75.1	2.602	1939	339.68	2886
CMA-545-2T-4	A	S	NO	1.04	67.1%	73.1	2.683	1737	380.53	2924

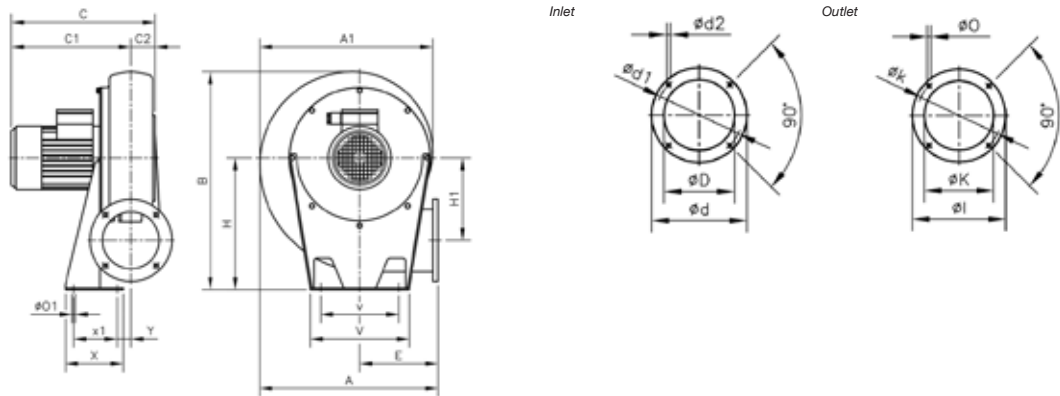
Acoustic features

Sound power Lw(A) spectrum in dB(A) via frequency band in Hz.

Model	63	125	250	500	1000	2000	4000	8000	Model	63	125	250	500	1000	2000	4000	8000
218	29	43	61	67	71	68	63	54	531-1,5	50	64	82	88	92	89	84	75
324	36	50	68	74	78	75	70	61	531-2	51	65	83	89	93	90	85	76
325	39	53	71	77	81	78	73	64	531-3	52	66	84	90	94	91	86	77
426	41	55	73	79	83	80	75	66	540	54	67	85	91	96	92	87	79
527	46	60	78	84	88	85	80	71	545-3	55	68	86	92	97	93	88	80
528-1	48	62	80	86	90	87	82	73	545-4	57	70	88	94	99	95	90	82
528-1,5	49	63	81	87	91	88	83	74									

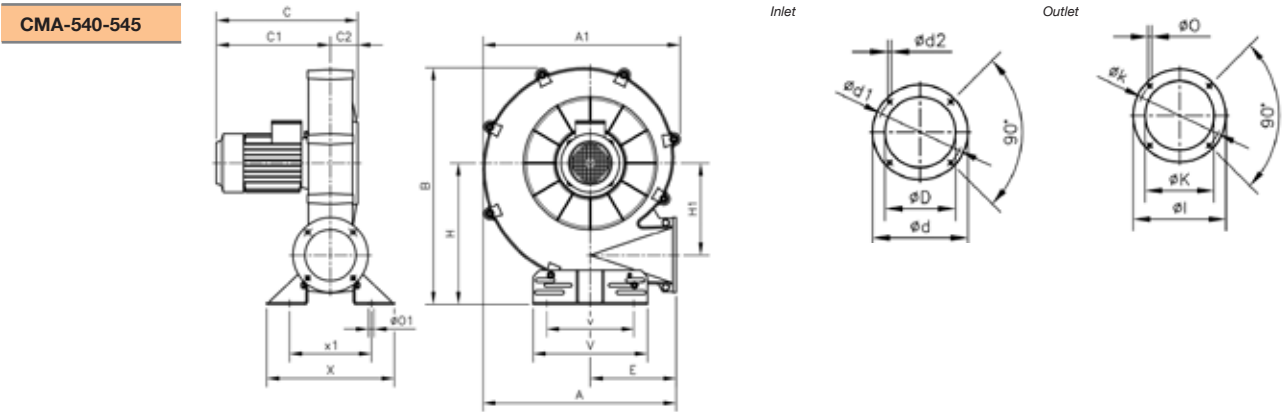
Dimensions in mm

CMA-218...531



Model	A	A1	B	C	C1	C2	øD	ød	ød1	ød2	E	H	H1	øI	øK	øk	øO	øO1	V	v	X	x1	Y
CMA-218	241	236	288	239	207	32	80	113	90	M5	110	170	114.5	90	54	76	5.5	7	140	100	80	50	20
CMA-324	311	302	356	268	230	38	80	130	112	M5	145	205	145	108	62	90	7	9	173	125	90	60	20
CMA-325	335	328	399	271	231	40	94	140	122	M6	155	235	152	120	80	102	7	9	180	145	110	80	20
CMA-426	354	344	412	290	250	40	117	155	132	M6	162	240	163	140	90	119	7	13	210	160	105	65	26
CMA-527	371	361	440	297	255	42	125	170	147	M6	168	260	170	155	100	129	7	13	220	170	120	80	20
CMA-528...1	401	395	488	340	289	51	116	190	162	M6	178	290	177	190	130	160	11	13	230	180	140	100	20
CMA-528...1'5	401	395	488	337	289	48	135	190	162	M6	178	290	177	190	130	160	11	13	230	180	140	100	20
CMA-531...1'5	440	434	537	340	290	50	160	215	180	M6	193	320	200	200	140	175	11	13	240	190	160	120	21
CMA-531...2	440	434	537	401	351	50	160	215	180	M6	193	320	200	200	140	175	11	13	240	190	160	120	21
CMA-531...3	440	434	537	401	351	50	160	215	180	M6	193	320	200	200	140	175	11	13	240	190	160	120	21

Dimensions in mm

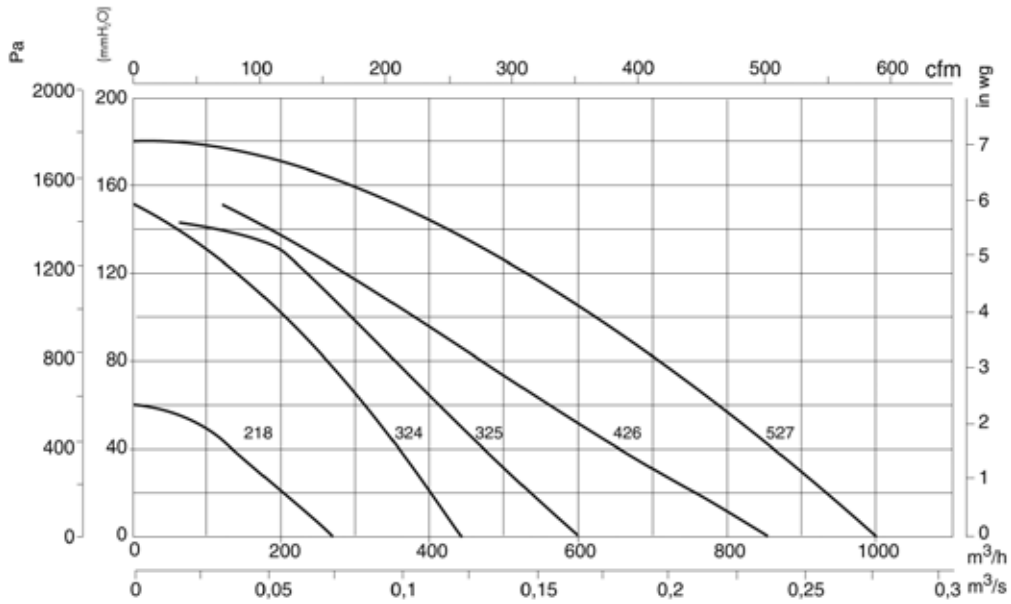


Model	A	A1	B	C	C1	C2	øD	ød	ød1	ød2	E	H	H1	øl	øK	øk	øO	øO1	V	v	X	x1	Y
CMA-540	567	580	695	403	323	80	170	240	205	M10	252	415	270	220	150	190	13	11	336	218	374	240	-
CMA-545...3	651	646	776	449	334	115	180	255	220	M10	290	450	309	250	175	220	13	13	336	238	392	292	-
CMA-545...4	651	646	776	468	353	115	180	255	220	M10	290	450	309	250	175	220	13	13	336	238	392	292	-

Characteristic curves

Q = Airflow in m³/h, m³/s and cfm.

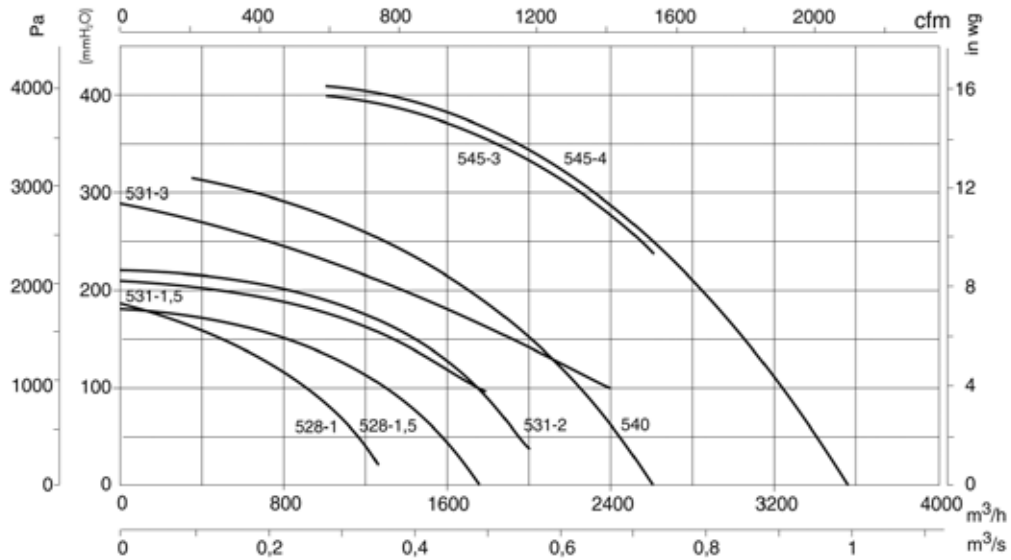
Pe= Static pressure in mm.w.c., Pa and inwg.



Characteristic curves

Q = Airflow in m³/h, m³/s and cfm.

Pe= Static pressure in mm.w.c., Pa and inwg.



Positions

LG 270 standard supply

LG 180 position on request and with special fixing measures



Accessories

See accessories section.

