

Breather filter

RE 51415/02.09 1/10
Replaces: 08.08
RE 51416

Types TLF I...; TLF II...; TLF III...

Nominal size: TLF I; II; III 1 - 25 to 8 - 250
Connections up to DN 250
Operating temperature -20 °C to +100 °C



H7623

Table of contents

Content	Page
Application	1
Design, maintenance intervals, and spare parts	2
Ordering details	3, 4
Unit dimensions	5...7
Characteristic curves	8

Application

- Filtration and dehumidification of the intake air of industrial systems.
- Avoidance of initial damage in pumps and bearings and system components.

Design

Dismountable filter housing for ventilation with internal, exchangeable filter element. Filter elements H10XL up to a filtration rating of 10 µm with glass fiber mat and P... up to 25 µm with paper mat.

Materials as per spare parts list.

Designs:

TLF I...: with internal screw-in thread,

TLF II...: with external screw-in thread,

TLF III...: with external screw-in thread and filling filter (screen basket 130 µm).

TLF I 7-125: with DIN flange,

TLF I 8-250: with DIN flange,

TLF III 7-125: with DIN flange and filling filter (screen basket 130 µm).

Maintenance intervals

Fields of application of the filter	Environmental conditions average dust content	Maintenance interval
General mechanical engineering	9...25 mg/m ³	4,000 h
Heavy industry	50...80 mg/m ³	3,000 h
Mobile hydraulics	30...100 mg/m ³	3,000 h

Spare parts nominal sizes 1-25 to 6-80

Part	Piece	Size Description	Material	TLF I, TLF II, TLF III					
				1-25	2-32	3-40	4-50	5-65	6-80
1	1	Cover	Steel	Please indicate ordering information "Filter"					
2	1	Wing nut	Steel	Part No. 4349					
3	1	Filter element	various	Please indicate ordering information "Filter Element"					
4	1	Lower housing part	various	Please indicate ordering information "Filter"					
5	1	Filling piece	Al	Part No. 3650	Part No. 3658	Part No. 3659	Part No. 3660	Part No. 3661	Part No. 3662
6	1	Filling screen	Steel	Part No. 3651	Part No. 3663	Part No. 3664	Part No. 3665	Part No. 3666	Part No. 3667

All part nos. BRFS.specific.

Filling piece and filling screen only available as unit.

Spare parts nominal sizes 7-125, 8-250

Part	Piece	Size Description	Material	TLF I/TLF III 7-125	TLF I 8-250
				1	1
2	1	Wing nut	Steel	Part No. 5233	
3	1	Filter element	various	Please indicate ordering information "Filter Element"	
4	1	Lower housing part	various	Please indicate ordering information "Filter"	
6	1	Filling screen	various	Part no. 5784	—
7	1	Seal	NBR	Please indicate ordering information "Filter"	
8	1	Seal	NBR	Please indicate ordering information "Filter"	
Weight (in kg)				8.0	33.0

All part numbers. BRFS specific.

Ordering details of the filter nominal sizes 1-25 to 6-80

			S		0	0	0	00		0	0
--	--	--	---	--	---	---	---	----	--	---	---

Design
 Tank breather filter...
 with internal thread connection = TLF I...
 with external thread connection = TLF II...
 with external thread connection and filling screen = TLF III...

Nom. size
 TLF I, II, III... = 1-25 2-32 3-40
 4-50 5-65 6-80

Filtration rating in µm nominal
 Paper, non-cleanable P10, P25 = P...
absolute (ISO 16889)
 Micro glass, non-cleanable H10XL = H10XL

Pressure differential
 Max. admissible pressure differential of the filter element Standard = S

Element model
 Standard adhesive T = 80 °C = 0...
 Standard material = ...0

Solenoid
 without = 0

Complementary details
 0 = without

Material
 0 = Standard

Seal
 0 = Polyurethane adhesive
 M = NBR seal

Connection
 00 = Standard

Clogging indicator
 0 = without

Bypass valve
 0 = without

Ordering example:
 TLF III 3 - 40 P10-S00-000-00M00

Ordering details of the filter element nominal size 1-25 to 6-80

	7.		S		0	
--	----	--	---	--	---	--

Filter element
 Design = 7.

Filter element size
 NG1-25, 2-32 = 002
 NG3-40, 4-50, 5-65 = 004
 NG6-80 = 006

Filtration rating in µm nominal
 Paper, non-cleanable P10, P25 = P...
absolute (ISO 16889)
 Micro glass, non-cleanable H10XL = H10XL

Pressure differential
 Max. admissible pressure differential of the filter element Standard = S

Seal
 0 = Polyurethane adhesive
 M = NBR seal

Bypass valve
 0 = without

Element model
 0... = Standard adhesive T = 80 °C
 ...0 = Standard material

Ordering example:
 7.004 P10-S00-0-M

Ordering details of the filter nominal sizes 7-125, 8-250

			S	0	0	0	00	M	0	0
--	--	--	---	---	---	---	----	---	---	---

Design
 Tank breather filter with DIN flange connection = TLF I...
 Tank breather filter with DIN flange connection and filling screen = TLF III...

Nom. size
 TLF I, III = 7-125
 TLF I = 8-250

Filtration rating in µm nominal
 Paper, non-cleanable P10, P25 = P...
absolute (ISO 16889)
 Micro glass, non-cleanable H10XL = H10XL

Pressure differential
 Max. admissible pressure differential of the filter element
 Standard = S

Element model
 Standard adhesive T = 80 °C = 0...
 Standard material = ...0

Solenoid
 without = 0

Complementary details
 0 = without

Material
 0 = Standard

Seal
 M = NBR seal

Connection
 00 = Standard

Clogging indicator
 0 = without

Bypass valve
 0 = without

Ordering example:
 TLF III 7 - 125 P10-S00-000-00M00

Ordering details of the filter element nominal sizes 7-125, 8-250

	7.		S	0	M
--	----	--	---	---	---

Filter element
 Design = 7.

Filter element size
 NG7-125 = 007
 NG8-250 = 008

Filtration rating in µm nominal
 Paper, non-cleanable P10, P25 = P...
absolute (ISO 16889)
 Micro glass, non-cleanable H10XL = H10XL

Pressure differential
 Max. admissible pressure differential of the filter element
 Standard = S

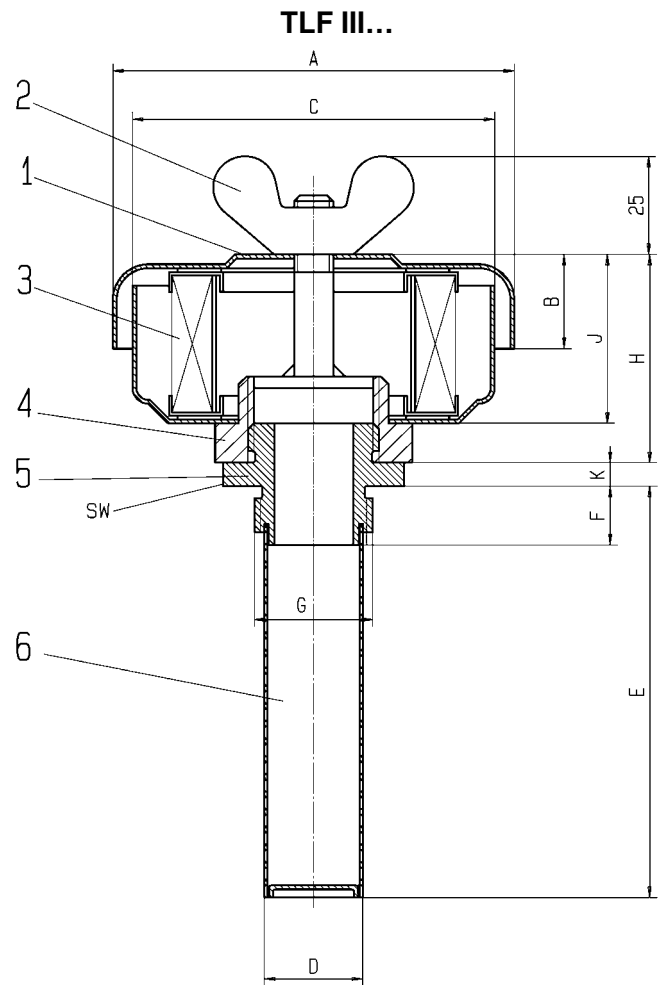
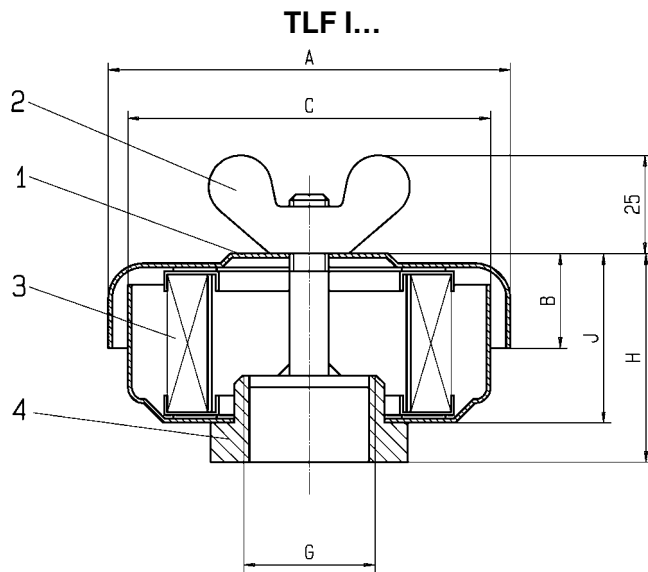
Seal
 M = NBR seal

Bypass valve
 0 = without

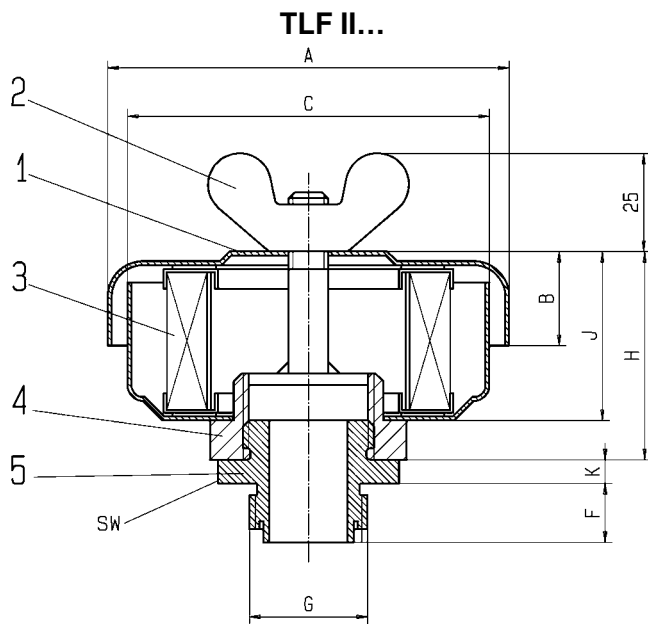
Element model
 0... = Standard adhesive T = 80 °C
 ...0 = Standard material

Ordering example:
 7.007 P10-S00-0-M

Unit dimensions nominal sizes 1-25 to 6-80



Design with filling piece and filling screen



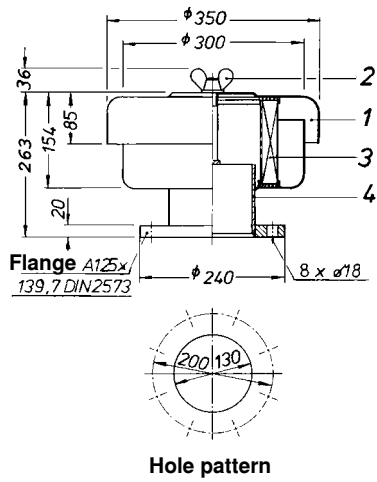
Design with filling piece

Unit dimensions nominal sizes 1-25 to 6-80 (dimensions in mm)

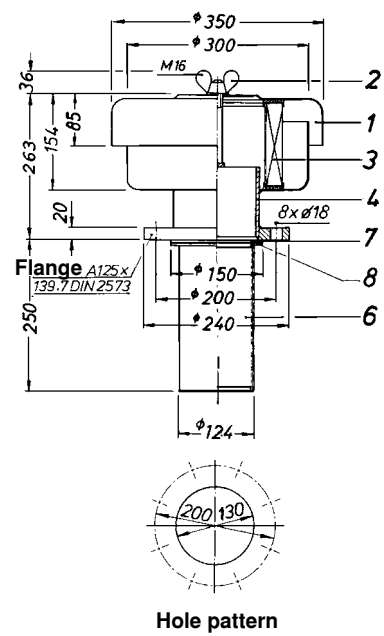
Size	Weight in kg	A	B	C	D	E	F	G	H	J	K	SW	
TLF I 1-25	0.5	Ø 104	24	Ø 92	—	—	—	G 1	53	43	—	—	
TLF I 2-32	0.6							G 1 $\frac{1}{4}$	63				
TLF I 3-40	2.1	Ø 177	46	Ø 162				G 1 $\frac{1}{2}$	90	80			
TLF I 4-50	2.1												G 2
TLF I 5-65	2.1												G 2 $\frac{1}{2}$
TLF I 6-80	2.4	Ø 210	45	Ø 190				G 3	88	78			
TLF II 1-25	0.6	Ø 104	24	Ø 92	—	—	25	G 1	53	43	6	46	
TLF II 2-32	0.7							G 1 $\frac{1}{4}$	63			55	
TLF II 3-40	2.3	Ø 177	46	Ø 162			26	G 1 $\frac{1}{2}$	90	80	7	60	
TLF II 4-50	2.3											G 2	75
TLF II 5-65	2.3											G 2 $\frac{1}{2}$	8
TLF II 6-80	2.7	Ø 210	45	Ø 190			30	G 3	88	78	9	105	
TLF III 1-25	0.7	Ø 104	24	Ø 92	Ø 28	107	25	G 1	53	43	6	46	
TLF III 2-32	0.8				Ø 34	131		G 1 $\frac{1}{4}$	63			55	
TLF III 3-40	2.5	Ø 177	46	Ø 162	Ø 42	155	26	G 1 $\frac{1}{2}$	90	80	7	60	
TLF III 4-50	2.5				Ø 53	185		G 2				75	
TLF III 5-65	2.5				Ø 67	217		G 2 $\frac{1}{2}$				8	90
TLF III 6-80	2.8	Ø 210	45	Ø 190	Ø 82	254	30	G 3	88	78	9	105	

Unit dimensions nominal sizes 7-125, 8-250

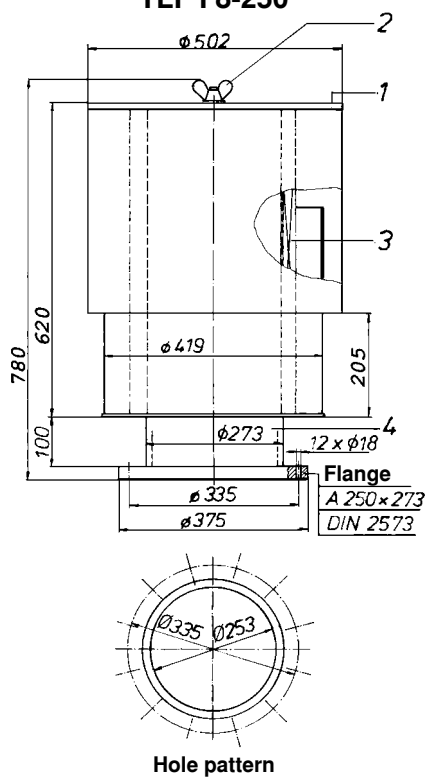
TLF I 7-125



TLF III 7-125



TLF I 8-250



Characteristic curves (measured at test temperature = 20 °C)

