

22MM METAL ROUND ACTUATOR: OMR KEY-OPER.SWITCH W.
2 KEYS LATCHING 3 SWITCH POSITIONS I-O-II LOCK NO
73034,REMOV.POS.I+O+II WITH HOLDER BLACK



Figure similar

Design of the product	Single device round
Enclosure:	
Number of command points	1
Actuator:	
Design of the operating mechanism	Key-operated switch
Manner of function of the actuating element	Latching
Product expansion optional Light source	No
Color	
• of the actuating element	black
Material of the actuating element	plastic
Outer diameter of the actuating element	28.5 mm
Type of unlocking device	key unlatching
Number of switching positions	3
Switch position for key distraction	I+O+II
Actuating angle	
• clockwise	50°
• anticlockwise	50°
Lock make	O.M.R.

Front ring:	
Product component front ring	Yes
Design of the front ring	Standard
Material of the front ring	metal
Color of the front ring	silver

Holder:	
Material of the holder	Metal

General technical data:	
Product function	
<ul style="list-style-type: none"> • EMERGENCY OFF function • EMERGENCY STOP function 	No No
Protection class IP	IP67
Vibration resistance	
<ul style="list-style-type: none"> • acc. to IEC 60068-2-6 	20 ... 200 Hz: 5g
Operating frequency maximum	1 000 1/h
Mechanical service life (switching cycles)	
<ul style="list-style-type: none"> • typical 	300 000
Equipment marking	
<ul style="list-style-type: none"> • acc. to DIN 40719 extended according to IEC 204-2 acc. to IEC 750 • acc. to DIN EN 61346-2 • acc. to DIN EN 81346-2 	S S S

Ambient conditions:	
Ambient temperature	
<ul style="list-style-type: none"> • during operation • during storage 	-25 ... +70 °C -40 ... +80 °C
Environmental category during operation acc. to IEC 60721	3K6

Installation/ mounting/ dimensions:	
Mounting type	front mounting
Shape of the installation opening	round
Mounting diameter	22 mm

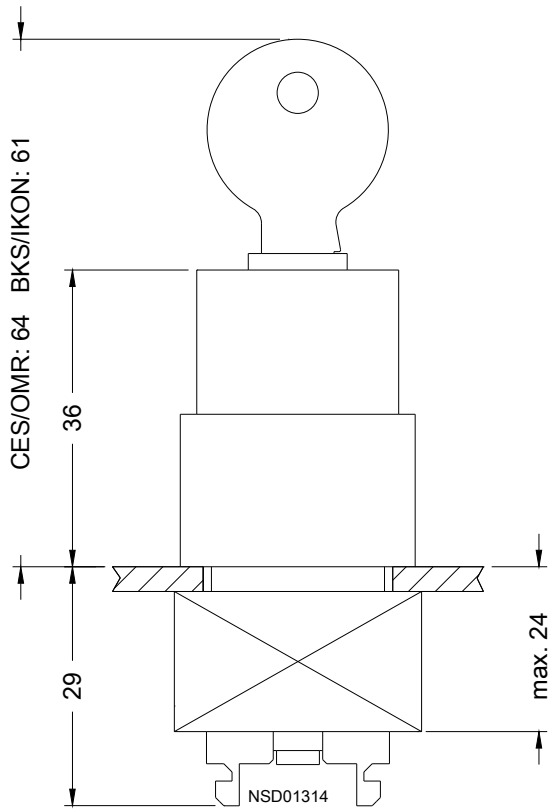
Certificates/approvals

General Product Approval	Declaration of Conformity	Test Certificates	Shipping Approval
--------------------------	---------------------------	-------------------	-------------------



Shipping Approval	other
-------------------	-------





last modified:

15.12.2015