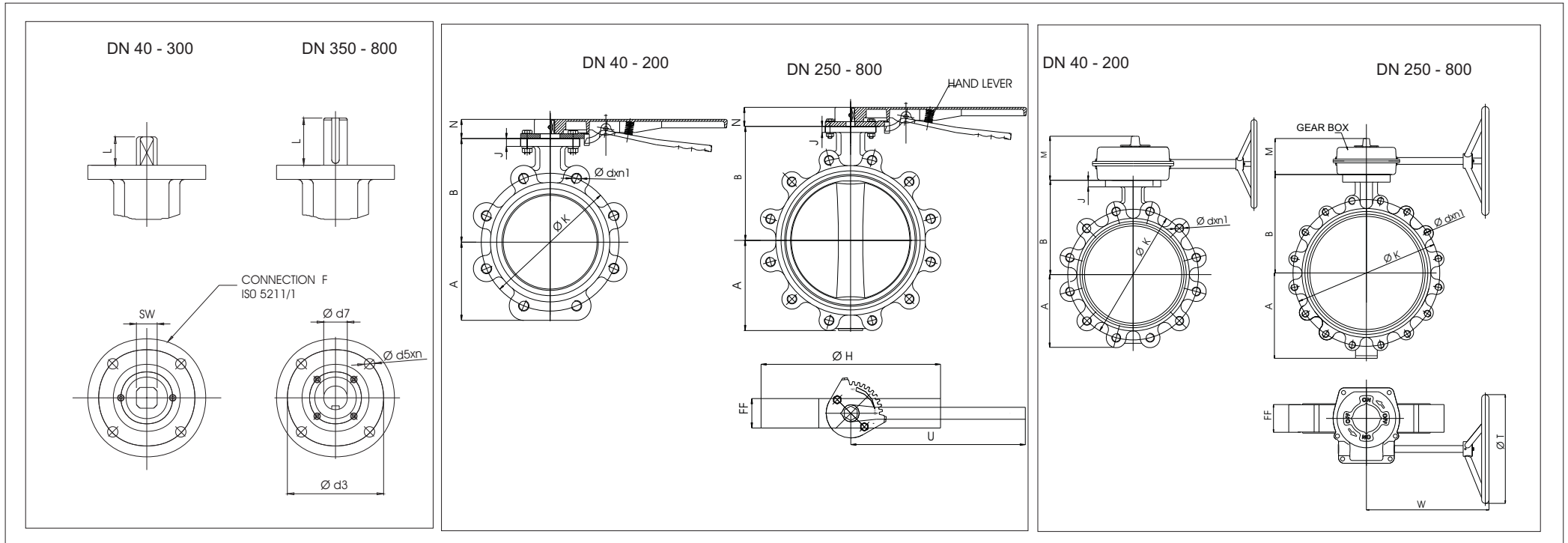




# 1140

## LUG TYPE (THREADED) BUTTERFLY VALVE DIMENSIONAL DRAWING



DN	A	B	FF	Ø H	J	M	N	U	W	Ø T	F	Ø d5xn	□ SW Ø d7	L	Ø d3	GEAR BOX												
																PN 10		PN 16		FREE SHAFT Weight (kg)	HAND LEVER		PN 10		PN 16			
																Ø K	Ø d n1	Ø K	Ø d n1		Type	Weight (kg)	Type	Weight (kg)	Type	Weight (kg)		
Ø 40	61	96	40	118	13	50	37	220	159	200	05	7x4	□ 9	20	50	110	M 16	4	110	M 16	4	3.5	92-150	0.600	AST-20		AST-20	
Ø 50	67	108	43	130	13	50	37	220	159	200	05	7x4	□ 9	20	50	125	M 16	4	125	M 16	4	4.0	92-150	0.600	AST-20		AST-20	
Ø 65	75	127	46	154	13	50	37	220	159	200	07	9x4	□ 11	20	70	145	M 16	4	145	M 16	4	5.0	92-150	0.600	AST-20		AST-20	
Ø 80	96	132	46	188	14	50	37	260	159	200	07	9x4	□ 14	20	70	160	M 16	8	160	M 16	8	6.0	92-200	0.800	AST-20	2,900	AST-20	2,900
Ø 100	111	155	52	218	14	50	37	260	159	200	07	9x4	□ 14	20	70	180	M 16	8	180	M 16	8	9.0	92-200	0.800	AST-20	2,900	AST-20	2,900
Ø 125	123	158	56	234	14	50	37	260	159	200	07	9x4	□ 14	20	70	210	M 16	8	210	M 16	8	11.0	92-200	0.800	AST-20	2,900	AST-20	2,900
Ø 150	134	185	56	268	14	50	37	350	159	200	07	9x4	□ 17	22	70	240	M 20	8	240	M 20	8	12.0	92-300	0.900	AST-20	2,900	AST-20	2,900
Ø 200	164	213	60	317	15	50	37	350	159	200	07	9x4	□ 17	22	70	295	M 20	8	295	M 20	12	20.0	92-300	0.900	AST-20	2,900	AST-20	2,900
Ø 250	202	245	68	393	15	75	47	400	238	260	10	11x4	□ 22	32	102	350	M 20	12	355	M 24	12	30.0	92-400	2.600	AST-30	8,220	AST-30	8,220
Ø 300	239	282	77	446	15	75	47	400	238	260	10	11x4	□ 27	32	102	400	M 20	12	410	M 24	12	40.0	92-400	2.600	AST-30	8,220	AST-30	8,220
Ø 350	300	318	78 / 92	513	28	102	-	-	315	400	14	17.5x4	Ø 36	75	140	460	M 20	16	470	M 24	16	66.0	-	-	AST-40	12,240	AST-40	12,240
Ø 400	326	362	102	570	28	102	-	-	315	400	14	17.5x4	Ø 36	75	140	515	M 24	16	525	M 27	16	81.0	-	-	AST-40	17,900	AST-60	17,900
Ø 450	364	410	114	632	26	102	-	-	315	400	16	22x4	Ø 45	92	165	565	M 24	20	585	M 27	20	111.0	-	-	AST-60	32,660	AST-80	32,660
Ø 500	408	435	127	667	26	102	-	-	315	550	16	22x4	Ø 45	92	165	620	M 24	20	650	M 30	20	148.0	-	-	AST-60	45,000	AST-80	45,000
Ø 600	482	519	154	768	26	102	-	-	315	600	16	22x4	Ø 60	92	165	725	M 27	20	770	M 33	20	225.0	-	-	AST-80	70,000	AB1950NHR	45,000
Ø 700	543	548	165	900	30	135	-	-	414	700	25	18x8	Ø 68	118	254	840	M 27	24	840	M 33	24	323	-	-	AB1950NHR	70,000	AB6800NLT/SP4	70,000
Ø 800	587	587	180 / 190	1016	30	135	-	-	414	800	25	18x8	Ø 80	118	254	950	M 30	24	950	M 36	24	413	-	-	AB6800NLT/SP4	70,000	AB6800NLT/SP4	70,000