

Mating connectors and cable sets for valves and sensors in hydraulics

RE 08006/10.12
Replaces: 04.12

1/34



Table of contents

See page

2 to 5

Features

- Mating connectors and cable sets for the electrical connection to
 - Valve solenoids
 - Valves with installed electronics
 - Position and pressure sensors
- Different designs and standards
- Plastic and metal versions

Table of contents




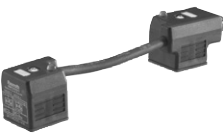


			Page
For valves with connector "K4", according to EN 175301-803 and ISO 4400, 2-pole + PE, "large cubic connector"			6 to 13
Mating connectors for valves with one or two solenoids (individual connection)	Without circuitry: Z4, Z45		6 to 8
	With indicator light, also with protective circuit or rectifier: Z5L, Z55L, Z5L1, Z5L2, RZ5, RZ5L, RZ55L, RZ55		
Cable sets for valves with one or two solenoids (individual connection)	Without circuitry: Z4		9 and 10
	With indicator light, also with protective circuit: Z5L Z5L1		
	Plug-in switching amplifier for fast switching and power reduction: VT-SSBA1		
Cable sets for valves with two solenoids (Double mating connectors)	With connector M12 x 1: Z60		11 to 13
	With connector M12 x 1, with indicator light, also with protective circuit: Z60L, Z60L8		
	With breakout cable: Z61		
	With breakout cable, shielded, with indicator light: Z61L		
For valves with "small cubic connector"			14 to 15
Mating connector	G4W1F		14 to 15

Table of contents

			Page
For valves with round connector according to EN 175201-804, 6-pole + PE as well as 6-pole, compatible with VG 95328			16 to 17
Mating connector, 6-pole + PE, plastic version	7PZ31...K		16 to 17
Mating connector, 6-pole + PE, metal version	7PZ31...M		
Mating connector, 6-pole, metal version, compatible with VG 95328	6P KPTC6		
For valves with round connector according to EN 175201-804, 11-pole + PE			18 and 19
Mating connector, 11-pole + PE, metal version, shielded	12PN11...EMV		18 and 19
Mating connector, 11-pole + PE, plastic version	12PN11		
Mating connector, 11-pole + PE, plastic version, two cable outlets	12PN11...2XD8		
For mechanical pressure switches with connector "K14", according to EN 175301-803 and ISO 4400, 3-pole + PE, "large cubic connector"			20 to 23
Mating connectors, 3-pole + PE	Without circuitry: Z14		20 and 21
	With indicator light: Z15L, Z15L6		

Table of contents











			Page
Cable sets, 3-pole + PE	Without circuitry: Z14		22 and 23
Cable sets, 3-pole + PE	With indicator light: Z14L		
For sensors and valves with connector "K24", "K35" and "K72"			24 to 29
Mating connectors, M12 x 1, 4-pole, line cross-section 0.75 mm ²	straight: 4PE11508		24 and 25
	straight: 4PZ24		
	angled: 4PE11509		
	angled: 4PZ24		
Cable sets, M12 x 1, 4-pole, line cross-section 0.34 mm ²	straight: 4PM12		26 and 27
	straight: 4PZ24		
	angled: 4PM12		

Table of contents

			Page
Cable sets, M12 x 1, 4-pole, line cross-section 0.75 mm ²	Straight: KABELSATZ VT-SSPA1-1X/M12/1/V00		28 and 29
	Angled: KABELSATZ VT-SSPA1-1X/M12/2/V00		
For mechanical position switches, mechanical pressure switches and valves with central connection with connector "K6"			30 and 31
Mating connector, 6-pole + PE	7PZ6, according to EN 175801-804 for connector K6		30 and 31
For directional valve with connector "C4" and "C4Z" (AMP Junior-Timer)			32
Mating connectors	2P JUNIOR D2 2 2P D1.2 JUNIOR		32
For directional valves with connector "K40" (Deutsch plug)			33
Mating connectors	2P DT06 K40		33

For valves with connector "K4" according to EN 175301-803 and ISO 4400, 2-pole + PE, "large cubic connector"

– Mating connectors for valves with one or two solenoids (individual connection)

Ordering code

Short designation	Voltage DC / AC U	Current I_{max}	Color	Valve side	Fitting	Material number	Circuit diagram
Without circuitry, standard							
Z4	12...240 V	16 A	Gray	A	M16 x 1.5	R901017010	
	12...240 V	16 A	Black	B	M16 x 1.5	R901017011	
Z45	12...240 V	16 A	Brown	A	NPT 1/2"	R900004823	
	12...240 V	16 A	Black	B	NPT 1/2"	R900011039	
With indicator light							
Z5L	12...240 V	3 A	Black	A/B	M16 x 1.5	R901017022	
Z55L	12...240 V	3 A	Black	A/B	NPT 1/2"	R900057453	
With indicator light and Zener diode suppression circuit							
Z5L1	24 V ± 10 % ¹⁾	3 A	Black	A/B	M16 x 1.5	R901017026	
With indicator light and protective diode							
Z5L2	24 V ± 10 % ²⁾ only DC	3 A	Black	A/B	M16 x 1.5	R901017027	
With rectifier							
RZ5	80...240 V ³⁾	0.75 A	Black	A/B	M16 x 1.5	R901017025	
RZ55	80...240 V ³⁾	0.75 A	Black	A/B	NPT 1/2"	R900842566	
With indicator light and rectifier							
RZ5L	80...240 V ³⁾	0.75 A	Black	A/B	M16 x 1.5	R901017029	
RZ55L	80...240 V ³⁾	0.75 A	Black	A/B	NPT 1/2"	R900057455	

¹⁾ Limitation of the switch-off voltage peak to 55 V

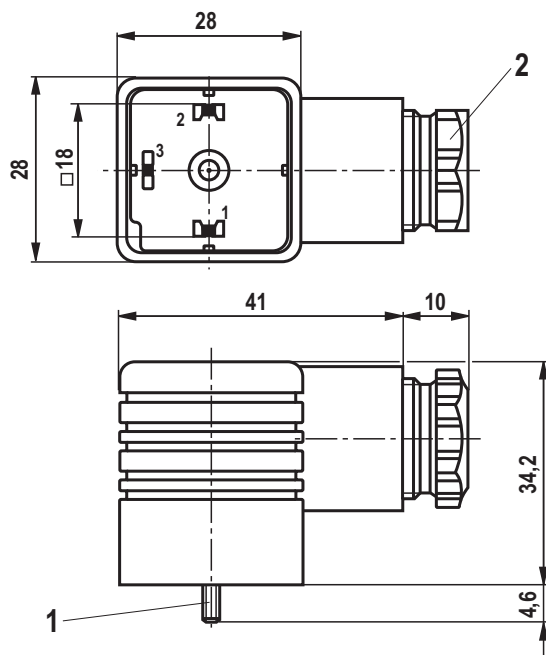
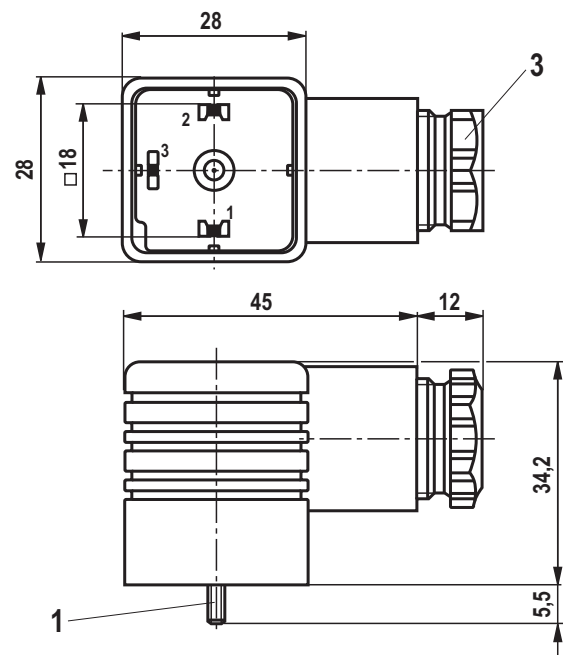
²⁾ Limitation of the switch-off voltage peak to 1 V

³⁾ Limitation of the switch-off voltage peak to 2 V

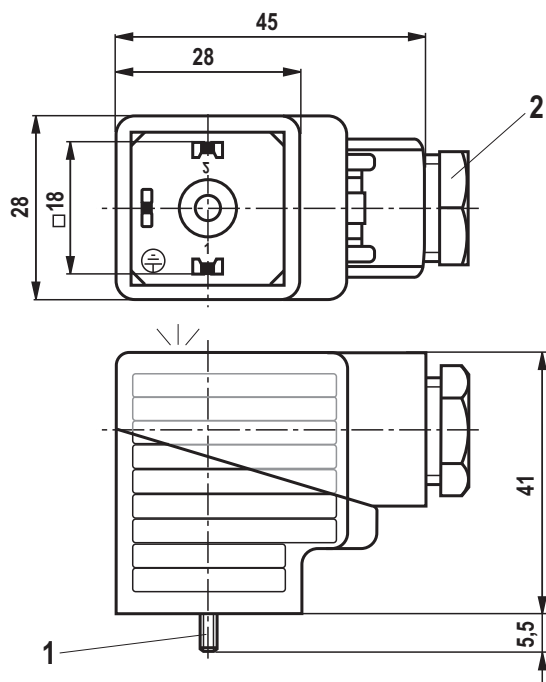
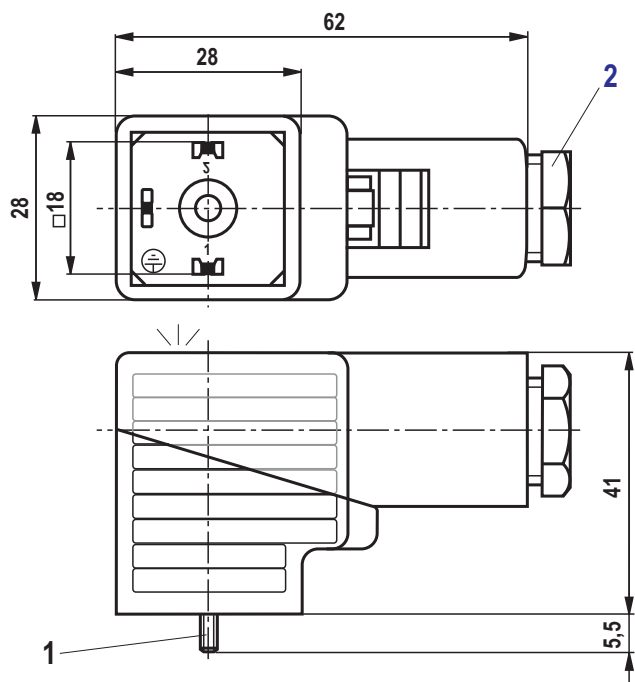
Technical Data (For applications outside these parameters, please consult us!)

Ambient temperature	Standard	°C	-40 to +125
	with indicator light/rectifier	°C	-20 to +60
Protection class according to EN 60529			IP 65 with mating connector mounted and locked
Indicator light			LED yellow
Number of poles			2 + PE
Terminal area for lines with external diameter		mm	5 to 10
Maximum line cross-section		mm ²	1.5 ¹⁾
Type of connection			Screw connection

¹⁾ 2.5 mm² with special ferrule crimping pliers (e.g. Knipex 975314 or Weidmüller PZ 6/5)

Unit dimensions: Z4, Z45 (dimensions in mm)**Z4****Z45**

- 1 Mounting screw M3,
tightening torque $M_A = 0.5 \text{ Nm}$
- 2 Fitting M16 x 1.5
- 3 Fitting NPT 1/2"

Unit dimensions: Z5..., RZ5... (dimensions in mm)**Z5L, Z5L1, Z5L2, RZ5, RZ5L, RZ55****Z55L, RZ55L**

- 1 Mounting screw M3,
tightening torque $M_A = 0.5 \text{ Nm}$
- 2 Fitting M16 x 1.5 / NPT 1/2"
(see table on page 6)

For valves with connector "K4" according to EN 175301-803 and ISO 4400, 2-pole + PE, "large cubic connector"

– Cable sets for valves with one or two solenoids (individual connection)

Ordering code

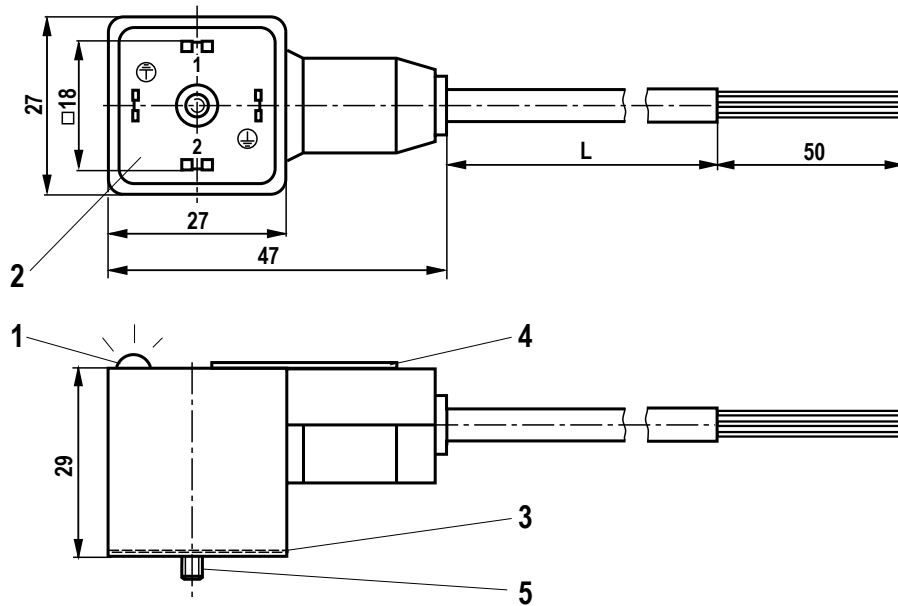
Short designation	Voltage DC / AC U	Current I_{\max}	Color	Material number for cable length			Circuit diagram
				3 m	5 m	10 m	
Without circuitry, standard							
Z4	12...240 V	10 A	Black	R900032020	R900032014	R900217134	
With indicator light							
Z5L	24 V	4 A	Black	R900032050	R900032018	R900217135	
	90...130 V	1 A	Black	R900032023	R900032012	R900217136	
	180...240 V	0.5 A	Black	R900032024	R900032010	R900217137	
With indicator light and Zener diode suppression circuit							
Z5L1	24 V ¹⁾	4 A	Black	R900032021	R900032015	R900217138	
Fast switching / Power reduction							
VT-SSBA1	24 V	4 A	Black	Types and technical data see data sheet 30362			

¹⁾ Limitation of the switch-off voltage peak to 55 V

Technical data (For applications outside these parameters, please consult us!)

Ambient temperature	Cable fixedly laid	°C	-20 to +80
	Cable moveable	°C	-5 to +70
Protection class according to EN 60529	IP 67 with mating connector mounted and locked		
Indicator light	Z4L...	LED yellow	
Connection line	Ölflex 150 PVC, gray		
Line cross-section	mm ²	3 x 1.0	
Core marking	PE	Green/yellow	
	Other wires	Black with numbers	
Number of poles	2 + PE		
Cable diameter	mm	Approx. 7	

Unit dimensions (dimensions in mm)



- 1 LED
- 2 Contacting 0 + 180° rotatable
- 3 Flat seal (captive)
- 4 Name plate
- 5 Mounting screw M3 (captive),
tightening torque $M_A = 0.5 \text{ Nm}$

L Cable length 3, 5 or 10 m (see "Ordering code")

For valves with connector "K4" according to EN 175301-803 and ISO 4400, 2-pole + PE, "large cubic connector"

– Cable sets for valves with two solenoids (Double mating connectors)

Ordering code: For directional valves type WE size 6, SEC and pilot operated switching valves

Short designation	Voltage DC / AC U	Current I_{max}	Cable length	Material number	Circuit diagram
With connector M12 x 1 Z60	24 V	4 A	–	R901207820	
With connector M12 x 1 and indicator light Z60L	24 V	4 A	–	R901207819	
With connector M12 x 1, indicator light and Zener diode suppression circuit Z60L8	24 V ¹⁾	4 A	–	R901205511	
With breakout cable Z61	12...230 V	4 A	3 m	R901207821	
	12...230 V	4 A	5 m	R901207822	
With breakout cable, shielded, with indicator light Z61L	24 V	4 A	3 m	R901286065	

S = Shield

¹⁾ Limitation of the switch-off voltage peak to ≤ 50 V

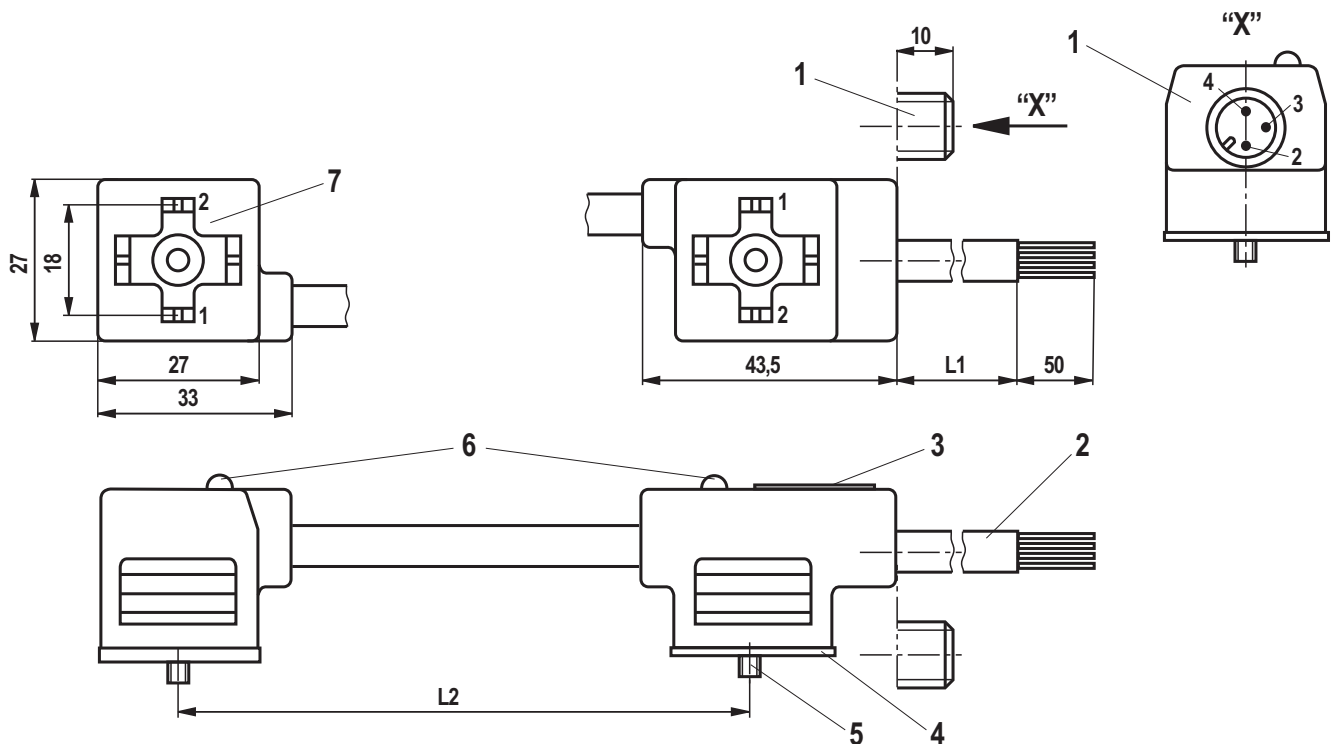
Ordering code: For directional valves type WE size 10

Short designation	Voltage DC / AC U	Current I_{max}	Cable length	Material number	Circuit diagram
With connector M12 x 1 Z60	24 V	4 A	–	R901207825	
With connector M12 x 1 and indicator light Z60L	24 V only DC	4 A	–	R901207824	
With connector M12 x 1, indicator light and Zener diode suppression circuit Z60L8	24 V ¹⁾ only DC	4 A	–	R901207823	
With breakout cable Z61	12...230 V 12...230 V	4 A 4 A	3 m 5 m	R901207826 R901207892	

¹⁾ Limitation of the switch-off voltage peak to ≤ 50 V

Technical data (For applications outside these parameters, please consult us!)

Ambient temperature	°C	-20 to +60
Protection class according to EN 60529		IP 67 with mating connector mounted and locked
Indicator light	Z60L..., Z61L...	LED yellow
Maximum operating current per contact	A	4 (at 40 °C), 3 (at 60 °C)
Connection line		PUR-JZ black, with UL / CSA approval
Line cross-section of the connection line	mm ²	3 x 0.75
Cable diameter of the breakout cable with "Z61"	mm	5.9 ± 0.2
Cable diameter of the breakout cable with "Z61L"	mm	6.5 ± 0.2
Overlap of shielding braid with "Z61L"		at least 85 %
Line cross-section of the breakout cable with "Z61"	mm ²	4 x 0.75
Line cross-section of the breakout cable with "Z61L"	mm ²	3 x 0.75
Core marking with "Z61" PE		Green/yellow
Other wires		Black with numbers
Connector M12		Thread in metal design, coding/pinout, design according to EN 61076-2-101:2003 + A1:2006

Unit dimensions (dimensions in mm)

1 Version "Z60..."

2 Version "Z61..."

3 Name plate

4 Flat seal (captive)

5 Mounting screw M3 (captive),
tightening torque $M_A = 0.5 \text{ Nm}$

6 LED (only versions "Z60L" and "Z61L")

7 Contacting 0° (PE bridged)

L1 Cable length 3 or 5 m (see "Ordering code")

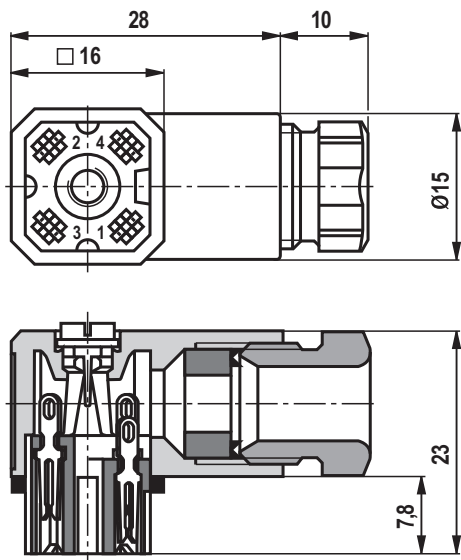
L2 113 mm (for valves size 6)
135 mm (for valves size 10)

For valves with "small cubic connector"**– Mating connector****Ordering code**

Short designation	Voltage DC / AC U_{\max}	Current I_{\max}	Color	Fitting	Material number	Circuit diagram
G4W1F	50	6	Black	PG 7	R900023126	

Technical data (For applications outside these parameters, please consult us!)

Ambient temperature	°C	-40 to +90
Protection class according to EN 60529		IP 65 with mating connector mounted and locked
Line cross-section	mm ²	0.14 to 0.5
Number of poles		4
Cable diameter	mm	4 to 7.5
Type of connection		Soldered joint

Unit dimensions (dimensions in mm)

For valves with round connector according to EN 175201-804, 6-pole + PE as well as 6-pole, compatible with VG 95328

– Mating connectors

Ordering code

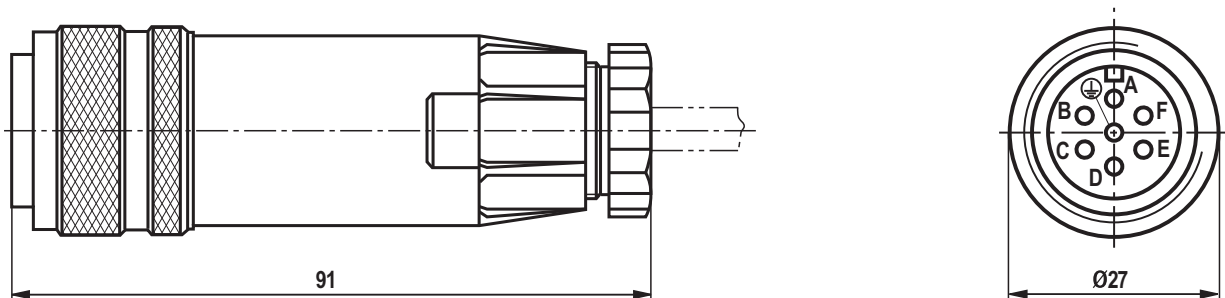
Short designation	Voltage DC / AC U	Current I_{max}	Fitting	Cable diameter Connection cross-section	Material number	Circuit diagram Pole pattern
6-pole + PE, plastic version						
7PZ31...K	24	3	PG 11	6.5...11 mm 0.5...1.5 mm ²	R900021267	
6-pole + PE, metal version						
7PZ31...M	24	3	PG 11	8,0...13.5 mm 0.5...1.5 mm ²	R900223890	
6-pole, metal version, compatible with VG 95328						
6P KPTC6	24	3	Special	4.5...7 mm 0.4...0.75 mm ²	R901043330	

Technical data (For applications outside these parameters, please consult us!)

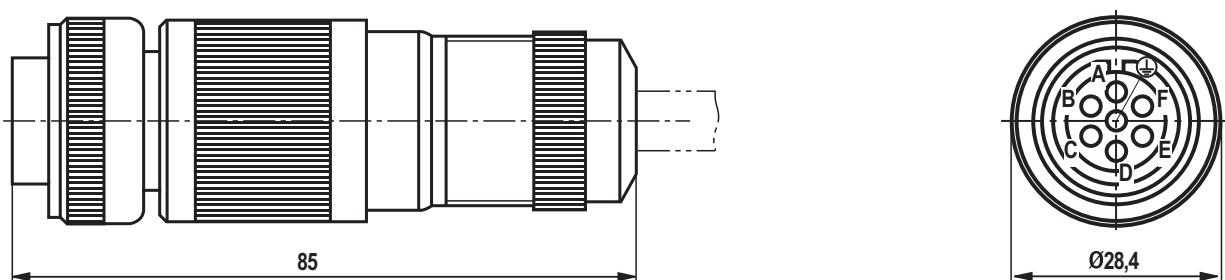
Ambient temperature	°C	–40 to +100
Protection class according to EN 60529		IP 67 with mating connector mounted and locked
Number of poles		6 (+ PE)
Type of connection	7PZ31...	Soldered joint
	6P KPTC6	Crimping connection (crimping contacts in the scope of delivery)

Unit dimensions (dimensions in mm)

6-pole + PE, plastic version, 7PZ31...K

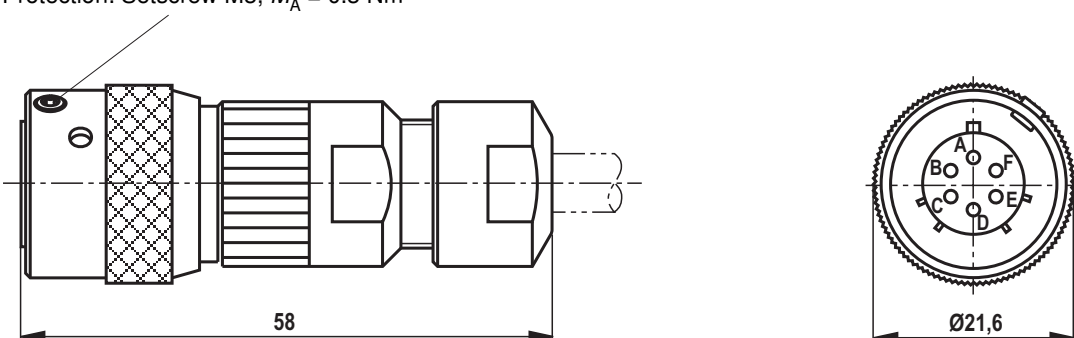


6-pole + PE, metal version, 7PZ31...M



6-pole, metal version, compatible with VG 95328, 6P KPTC6

Protection: Setscrew M3, $M_A = 0.3 \text{ Nm}$



Accessories for "6P KPTC6" (not included in scope of delivery)

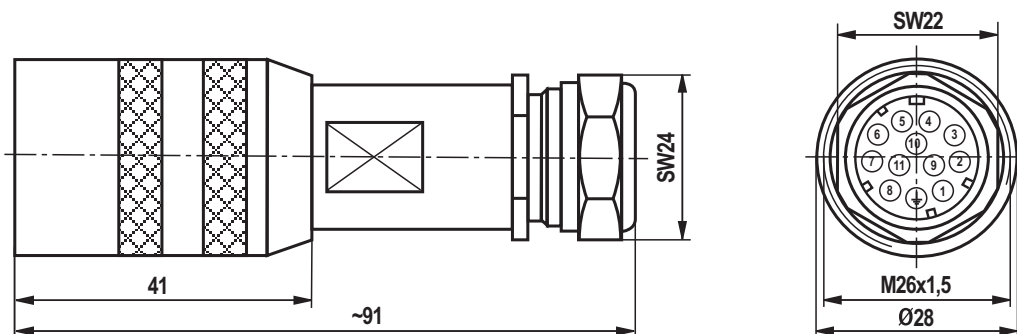
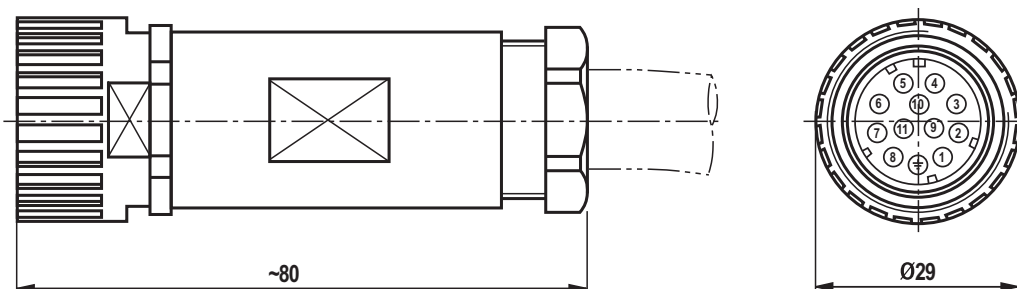
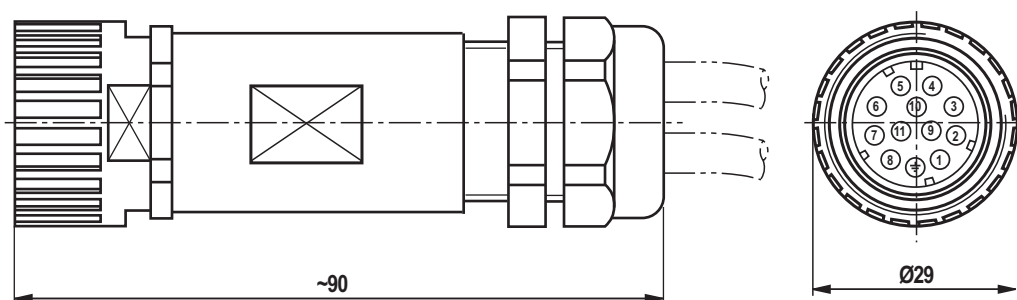
Company ITT Canon	Order number
Crimping pliers	M22520/1-01
Crimping insert	M22520/1-02
Installation tool	CiTG-20A
Installation pliers	CIT-KPTC-20

For valves with round connector according to EN 175201-804, 11-pole + PE**– Mating connectors****Ordering code**

Short designation	Voltage DC / AC <i>U</i>	Current <i>I</i> _{max}	Fitting	Cable diameter Connection cross-section	Material number	Circuit diagram Pole pattern
11-pole + PE, metal version, shielded						
12PN11... EMV	24	3	PG 13.5	12...15 mm 0.5 mm ²	R901268000	
11-pole + PE, plastic version						
12P N11	24	3	PG 16	12...14 mm 0.5...1.5 mm ²	R900752278	
11-pole + PE, plastic version, two cable outlets						
12PN11...2XD8	24	3	PG 16	2 x 6...8 mm 3 x 0.5...1.5 mm ² 9 x 0.14...0.5 mm ²	R900884671	

Technical data (For applications outside these parameters, please consult us!)

Ambient temperature	°C	–40 to +90
Protection class according to EN 60529		IP 65 with mating connector mounted and locked
Number of poles		11 + PE
Type of connection		Crimping connection (crimping contacts in the scope of delivery)

Unit dimensions (dimensions in mm)**11-pole + PE, metal version, shielded, 12PN11... EMV****11-pole + PE, plastic version, 12PN11****11-pole + PE, plastic version, two cable outlets, 12PN11...2XD8****Accessories** (not included in scope of delivery)

Company Hirschmann	Order number
Crimping pliers	XCZ 0701
Ejection tool	XWA 164

For mechanical pressure switches with connector "K14", according to EN 175301-803 and ISO 4400, 3-pole + PE, "large cubic connector"

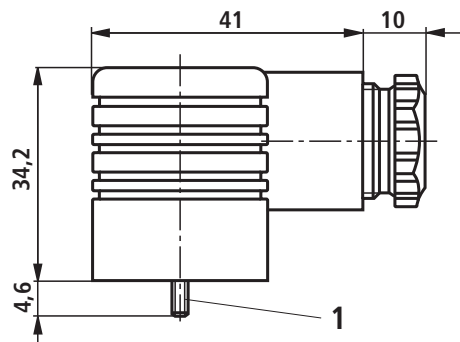
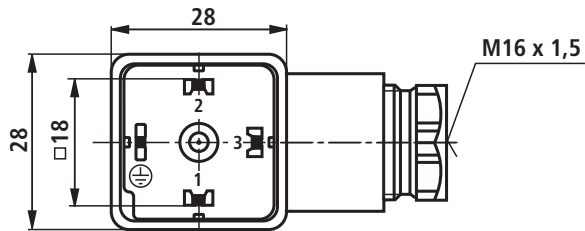
– Mating connectors

Ordering code

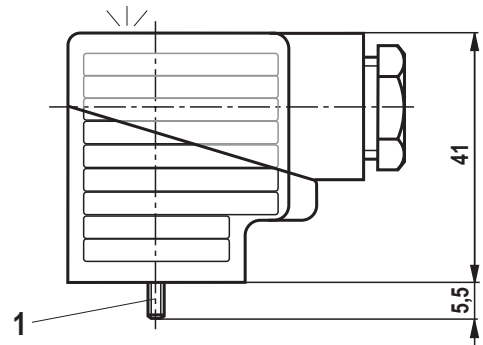
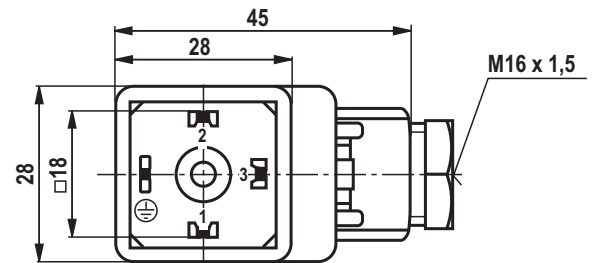
Short designation	Voltage DC / AC U	Current I_{max}	Color	Fitting	Material number	Circuit diagram
Without circuitry, standard						
Z14	12...240 V	16	Black	M16 x 1.5	R901017012	
With indicator lights at connections 2 and 3						
Z15L	6...14 V	4	Black	M16 x 1.5	R901017030	
	16...30 V	4	Black	M16 x 1.5	R901017048	
	36...60 V	4	Black	M16 x 1.5	R901017032	
	90...130 V	4	Black	M16 x 1.5	R901017035	
	180...240 V	4	Black	M16 x 1.5	R901017037	
With indicator lights at connections 1 and 3						
Z15L6	16...36 V	4	Black	M16 x 1.5	R901017040	

Technical data (For applications outside these parameters, please consult us!)

Ambient temperature	Standard	°C	-40 to +125
	with indicator light	°C	-20 to +60
Protection class according to EN 60529	IP 65 with mating connector mounted and locked		
Indicator light	Z15L Z15L6	Connection 2: LED green, connection 3: LED yellow Connection 1: LED green, connection 3: LED yellow	
Number of poles	3 + PE		
Terminal area for lines with external diameter	mm	5 to 10	
Maximum line cross-section	mm ²	1.5 with conductor sleeve	
Type of connection	Screw connection		

Unit dimensions: Z14, Z15L, Z15L6 (dimensions in mm)
Z14


- 1 Mounting screw M3,
tightening torque $M_A = 0.5 \text{ Nm}$

Z15L, Z15L6


For mechanical pressure switches with connector "K14", according to EN 175301-803 and ISO 4400, 3-pole + PE, "large cubic connector"

– Cable sets

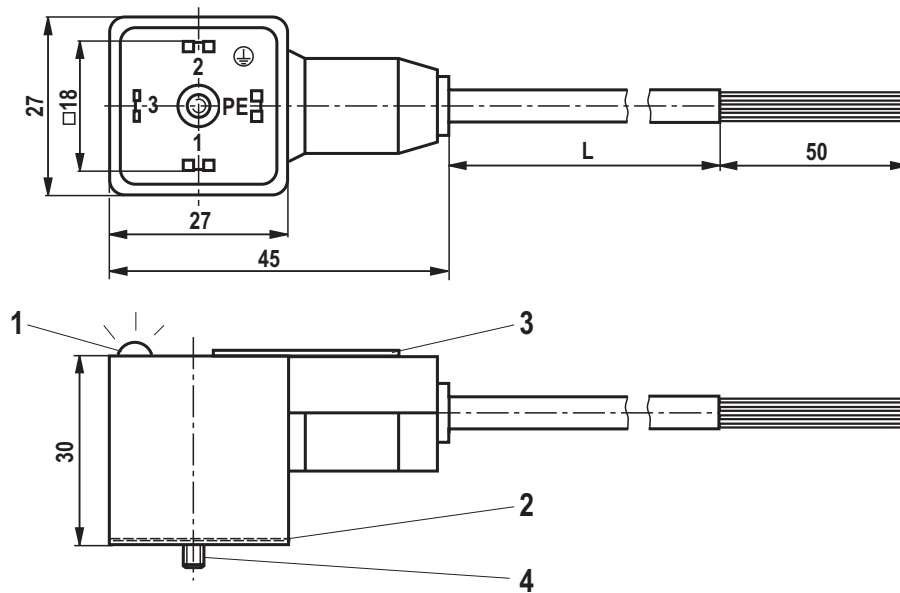
Ordering code

Short designation	Voltage DC / AC U	Current I_{\max}	Color	Material number for cable length		Circuit diagram
				5 m	10 m	
Without circuitry, standard						
Z14	12 – 240	10 A	Black	R900058528	R900217139	
With indicator light						
Z14L	24 V only DC	4 A	Black	R900210635	R900217140	

Technical data (For applications outside these parameters, please consult us!)

Ambient temperature	–5 to +70	
Protection class according to EN 60529	IP 67 with mating connector mounted and locked	
Indicator light	Z14L	Connection 2: LED green, connection 3: LED yellow
Connection line	PUR-JZ, gray	
Line cross-section	Standard	mm ² 4 x 0.75
	with indicator light	mm ² 5 x 0.5
Core marking	PE	Green/yellow
	Other wires	Black with numbers
Number of poles	3 + PE	
Cable diameter	mm	Approx. 7

Unit dimensions (dimensions in mm)



- 1 LED
- 2 Flat seal (captive)
- 3 Name plate
- 4 Mounting screw M3 (captive),
tightening torque $M_A = 0.5 \text{ Nm}$

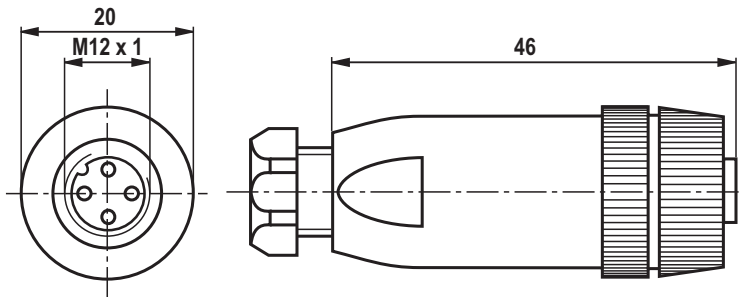
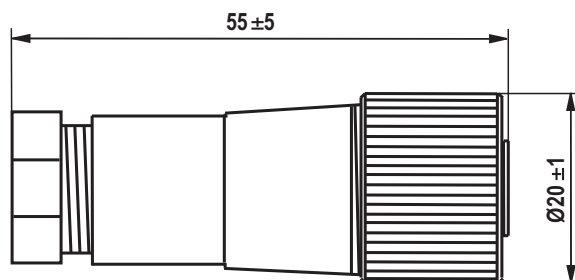
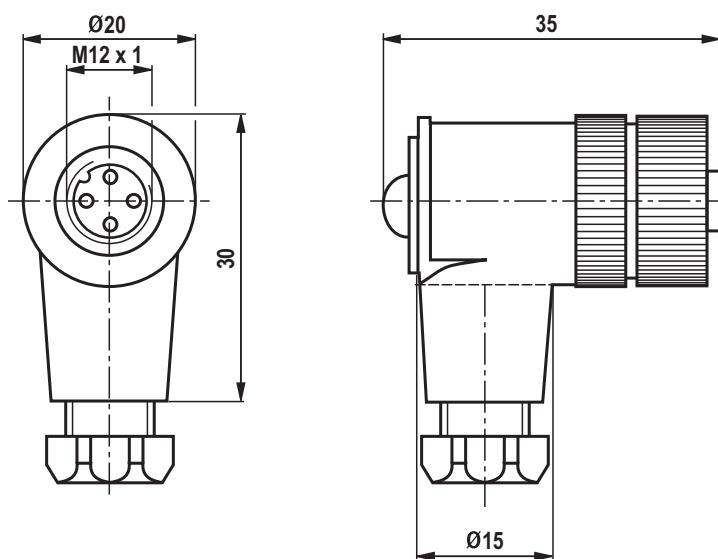
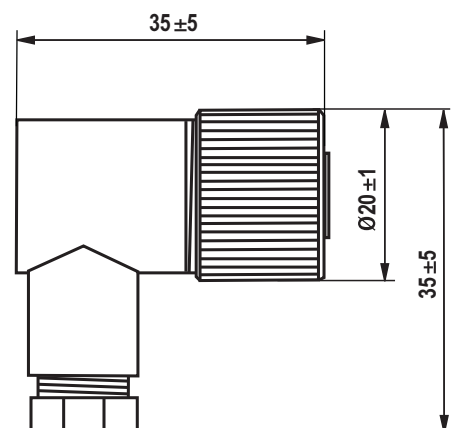
L Cable length 5 or 10 m (see "Ordering code")

For sensors and valves with connector "K24", "K35" and "K72"**– Mating connectors M12, 4-pole, line cross-section 0.75 mm²****Ordering code**

Short designation	Voltage DC U_{max}	Current I_{max}	Color	Fitting	Material number	Circuit diagram Pole pattern	
M12 x 1, straight							
4PE11508	50	4	Black	PG 7	R900773042		
4PZ24	50	3	Black	PG 9	R900031155		
M12 x 1, angled							
4PE11509	50	4	Black	PG 7	R900779509		
4PZ24	50	3	Black	PG 9	R900082899		

Technical data (For applications outside these parameters, please consult us!)

Ambient temperature	4PE1150...	°C	-25 to +85
	4PZ24	°C	-40 to +85
Protection class according to EN 60529			IP 67 with mating connector mounted and locked
Maximum line cross-section		mm ²	4 x 0.75
Number of poles			4
Cable diameter	4PE1150...	mm	4 to 6
	4PZ24	mm	6 to 8
Type of connection			Screw connection

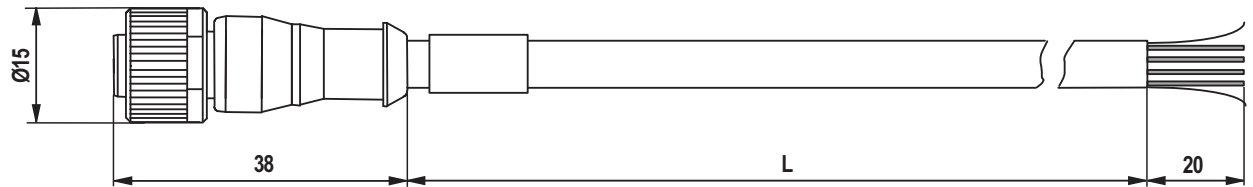
Unit dimensions (dimensions in mm)**M12 x 1, straight, 4PE11508****M12 x 1, straight, 4PZ24****M12 x 1, angled, 4PE11509****M12 x 1, angled, 4PZ24**

For sensors and valves with connector "K24", "K35" and "K72"– Cable sets M12, 4-pole, line cross-section 0.34 mm²**Ordering code**

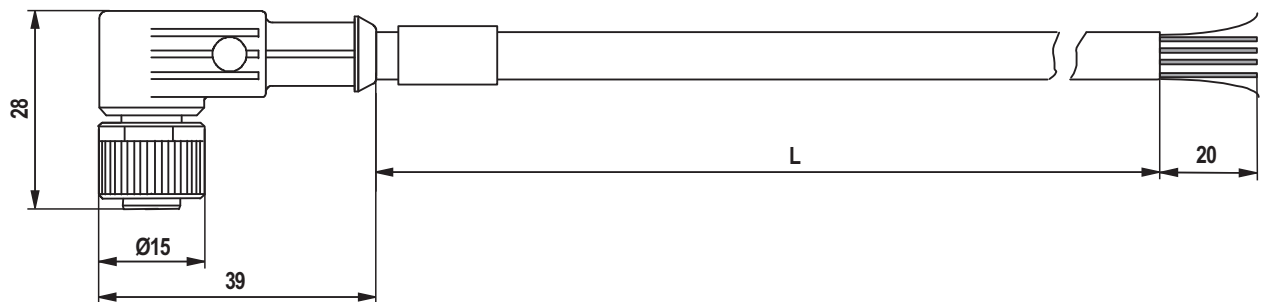
Short designation	Voltage DC / AC <i>U</i>	Current <i>I</i> _{max}	Color	Material number for cable length			Circuit diagram Pole pattern
				2 m	3 m	5 m	
M12 x 1, straight							
4PM12	250	4	Black	R900773031	–	R900779498	
4PZ24	50	3	Black	–	R900064381	–	
M12 x 1, angled							
4PM12	250	4	Black	R900779504	–	R900779503	

Technical data (For applications outside these parameters, please consult us!)

Ambient temperature	°C	–25 to +85	
Protection class according to EN 60529		IP 67 with mating connector mounted and locked	
Connection line		PUR-OB, black with approval: UL, CSA, CE	
Line cross-section	mm ²	4 x 0.34	
Core marking		1: Brown; 2: White; 3: Blue; 4: Black	
Number of poles		4	
Cable diameter	4PM12	mm	5.9
	4PZ24	mm	6.5

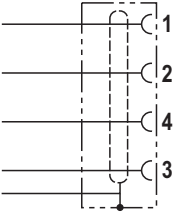
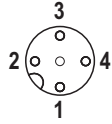
Unit dimensions (dimensions in mm)**M12 x 1, straight, 4PM12 and 4PZ24**

R900773031	L = 2 m
R900064381	L = 3 m
R900779498	L = 5 m

M12 x 1, angled, 4PM12

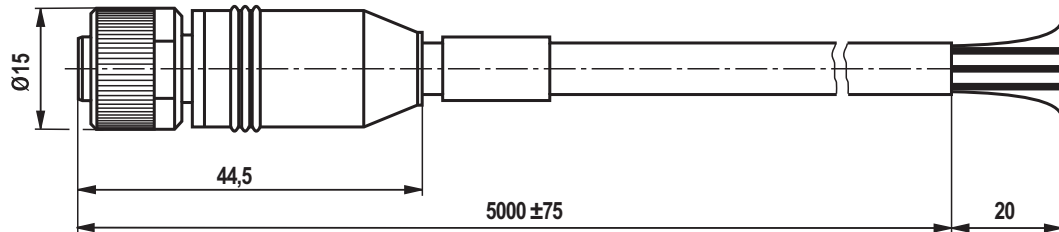
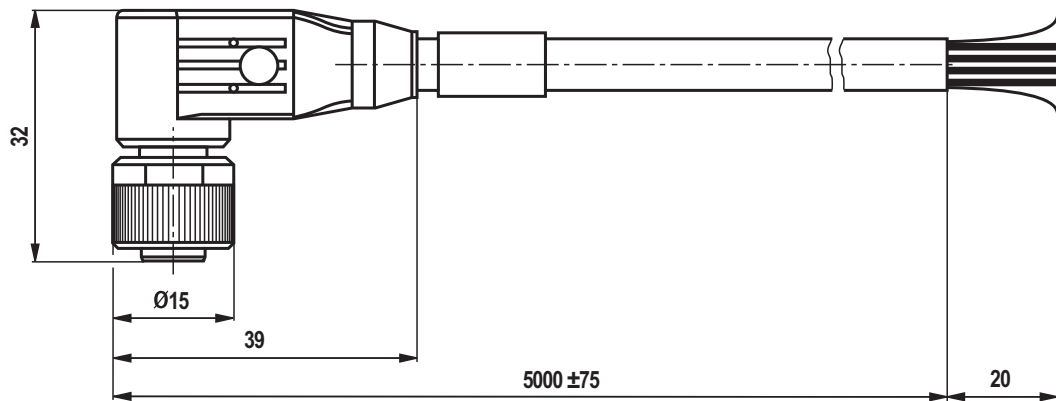
R900779504	L = 2 m
R900779503	L = 5 m

For sensors and valves with connector "K24", "K35" and "K72"– Cable sets M12, 4-pole, line cross-section 0.75 mm²**Ordering code**

Denomination	Voltage DC / AC <i>U</i>	Current <i>I</i> _{max}	Color	Material number	Circuit diagram Pole pattern
M12 x 1, straight					
KABELSATZ VT-SSPA1-1X/M12/1/V00	60	4	Black	R901241656	<p>Brown </p> <p>White</p> <p>Black</p> <p>Blue</p> <p>Shield: Cable and mating connector shielded</p> 
M12 x 1, angled					
KABELSATZ VT-SSPA1-1X/M12/2/V00	60	4	Black	R901241651	

Technical data (For applications outside these parameters, please consult us!)

Ambient temperature	Fixedly laid	°C	-25 to +80
	Moveable	°C	-5 to +70
Protection class according to EN 60529			IP 67 with mating connector mounted and locked
Connection line			PVC, black
Line cross-section		mm ²	4 x 0.75
Number of poles			4
Cable diameter		mm	6.4

Unit dimensions (dimensions in mm)**M12 x 1, straight, KABELSATZ VT-SSPA1-1X/M12/1/V00****M12 x 1, angled, KABELSATZ VT-SSPA1-1X/M12/2/V00**

For mechanical position switches, mechanical pressure switches and valves with central connection with connector "K6"

– Mating connectors

Ordering code

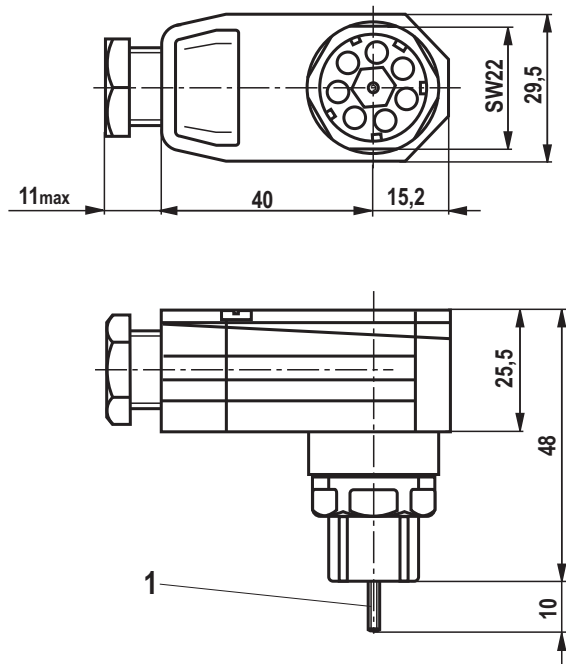
Short designation	Voltage DC / AC U	Current I_{max}	Color	Fitting	Material number	Circuit diagram Pole pattern
6-pole + PE						
7PZ6	250 V	10	Gray	PG 11	R900002803	

Technical data (For applications outside these parameters, please consult us!)

Ambient temperature	°C	–40 to +90
Protection class according to EN 60529		IP 65 with mating connector mounted and locked
Operating current, permanent	A	10
Number of poles		6 + PE
Terminal area for lines with external diameter	mm	7 to 9
Maximum line cross-section	mm ²	1.5
Type of connection		Crimping connection (crimping contacts in the scope of delivery)

Unit dimensions (dimensions in mm)

7PZ6



- 1 Mounting screw M3,
tightening torque $M_A = 0.5 \text{ Nm}$

Accessories (not included in scope of delivery)

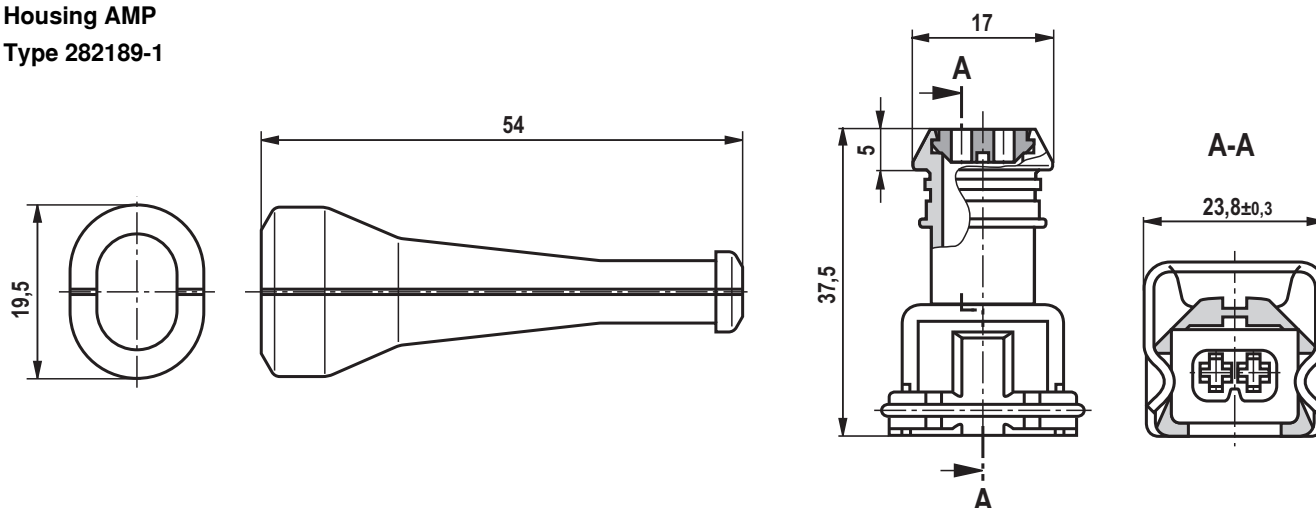
Company HIRSCHMANN	Order number
Crimping pliers	XCZ 0701
Ejection tool	XWA 164

For directional valve with connector "C4" and "C4Z" (AMP Junior-Timer)**– Mating connectors****Ordering code**

Short designation	External line diameter in mm	Color	Material number
2P JUNIOR D2 2	2.2 to 3.0	Black	R901022127
2P D1.2 JUNIOR	1.2 to 2.1	Black	R900313533

Technical data (For applications outside these parameters, please consult us!)

Ambient temperature range	°C	-20 to +125
Admissible operating voltage range	V DC	10 to 32
Protection class according to EN 60529		IP 66A (correctly mounted and locked)
Maximum operating current	A	5
Number of poles		2
Admissible external cable diameter	mm	5.2 to 7
Line cross-section	mm ²	0.5 to 1
Type of connection		Crimping connection
As-delivered state		1 connector housing, 2 contacts, 2 individual connector seals, 1 rubber bushing unmounted in pouch

Unit dimensions (dimensions in mm)**Housing AMP****Type 282189-1****Accessories** (not included in scope of delivery)

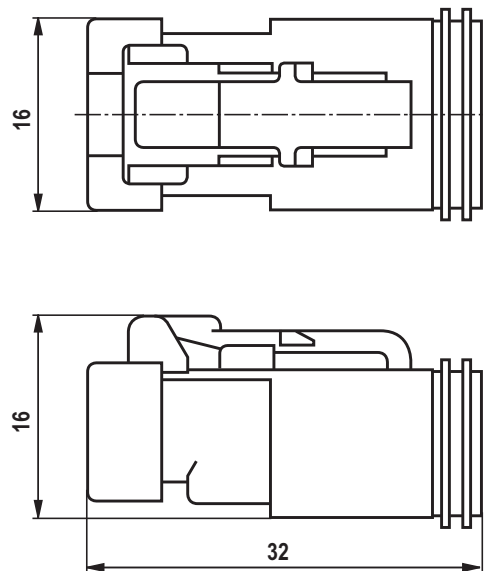
Crimping tool	
Basic pliers	Type 539635-1, company TYCO
Die	Type 539737-2, company TYCO

For directional valves with connector "K40" (Deutsch plug)**– Mating connectors****Ordering code**

Short designation	Line cross-section	Color	Material number
2P DT06 K40AWG14	AWG14-16	Gray	R900733451
2P DT06 K40AWG16	AWG16-18	Gray	R901017847

Technical data (For applications outside these parameters, please consult us!)

Connector housing	DT06-2S-CE01		
Ambient temperature range	°C	-20 to +125	
Admissible operating voltage range	V DC	10 to 32	
Protection class according to EN 60529	IP 69K (correctly mounted and locked)		
Maximum operating current	A	5	
Number of poles	2		
Maximum line cross-section	AWG 14-16	mm ²	1.3 to 2.08
	AWG 16-18	mm ²	0.83 to 1.3
Admissible external diameter - individual conductor	mm	1.35 to 3.05	
Type of connection	Crimping connection		
As-delivered state	1 connector housing, 2 contacts, 1 locking wedge, unmounted in pouch		

Unit dimensions (dimensions in mm)**Accessories** (not included in scope of delivery)

Crimping tool	Type HDT-4800, company Deutsch
---------------	--------------------------------