



Quick-Change® Cordsets

Quick disconnect and positive alignment of power conductors in harsh environments
 #10, #12 and #14 AWG yellow Type SOW cable
 Single-ended cordsets and mating receptacles

	2P			3P			4P		
FEMALE FACE VIEW									
COLOR CODE	1- black 2- white			1- black 2- white 3- green-gnd			1- black 3- red 2- green-gnd 4- white		
VOLTAGE	600V AC/DC			600V AC/DC			600V AC/DC		
CURRENT	18A	25A	30A	18A	25A	30A	15A	20A	25A
CONDUCTOR	#14	#12	#10	#14	#12	#10	#14	#12	#10

FEMALE	FIG	SINGLE-ENDED CORDSETS WITH 600V TYPE SOW CABLE								
3'	1	32022	32029	32053	32322	32342	32407	32637	32669	32757
6'	1	32023	32030	32054	32323	32350	32408	32638	32678	32758
12'	1	32024	32031	32055	32324	32356	32409	32639	32679	32759
MATING RECEPTACLE	FIG	RECEPTACLES WITH 12" LONG PVC-INSULATED WIRE								
THREAD 1/2"	2	32017	32032	32065	32317	32357	32419	32632	32680	32767
THREAD 3/4"	2	32018	32033	32066	32318	32358	32420	32633	32681	32768

CATALOG OPTIONS

P/N 55-0172 closure cap assembly for receptacles
 P/N 55-0170 threaded adapter plus closure cap assembly for cordsets

Use the following chart to modify your part's specifications

32017AL

BODY MATERIAL ALUMINUM **CODE** AL

Specifications



MECHANICAL (CORDSET)

PLUG FACE: NITRILE/SBR
 MOLDED BODY: NITRILE/SBR
 COUPLING NUT: THERMOPLASTIC WITH OPTIONAL ALUMINUM
 CABLE: YELLOW NEOPRENE CABLE JACKET TYPE SOW, 105° C UL LISTED, 90° C CSA CERTIFIED

OUTSIDE DIAMETER:	#14 AWG	#12 AWG	#10 AWG
2/C	.55" (13.9mm)	.63" (15.9mm)	.69" (17.4mm)
3/C	.58" (14.6mm)	.66" (16.6mm)	.72" (18.3mm)
4/C	.62" (15.8mm)	.71" (18.0mm)	.74" (18.8mm)
STRANDING	41 X #30	65 X #30	105 X #30

MECHANICAL (RECEPTACLE)

INSERT MATERIAL: NITRILE/SBR
 SHELL MATERIAL: THERMOPLASTIC WITH OPTIONAL ALUMINUM
 CABLE: 10/12/14 AWG, 1 CONDUCTOR PVC JACKETED, 105° C
 STRANDING: TINNED COPPER

	#14 AWG	#12 AWG	#10 AWG
	41 X #30	65 X #30	105 X #30

ELECTRICAL

VOLTAGE RATING: 600V AC/DC

AMPERAGE	#14 AWG	#12 AWG	#10 AWG
2/C	18A	25A	30A
3/C	18A	25A	30A
4/C	15A	20A	25A

ENVIRONMENTAL

PROTECTION: IP 68, NEMA 6P
 AMBIENT OPERATING TEMP: -4° TO 221° F (-20° TO 105° C)

CERTIFICATIONS

UL: UL RECOGNIZED, FILE NO E46237
 CSA: CSA CERTIFIED, FILE NO LR6837

CONNECTOR DIMENSIONS

FEMALE CORDSET

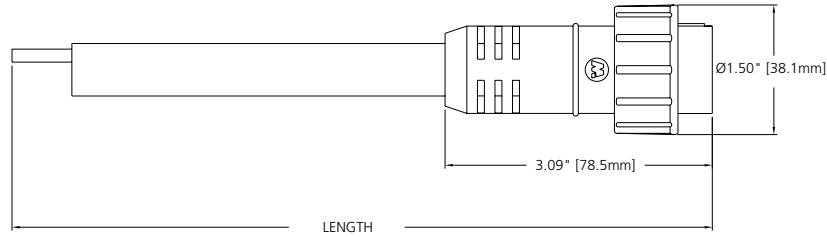


FIG 1

RECEPTACLE DIMENSIONS

MALE RECEPTACLE

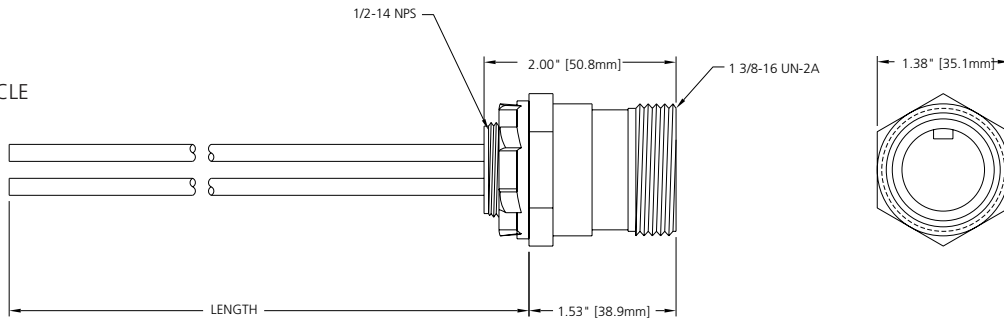


FIG 2