

## 1 ROTARY DRUM SCREEN

REF: TA - RO

### Application:

- Highly efficient particle filtration (two phase liquid-solid separation) for both industrial and domestic waste water. Fine solids (from 0.25 to 3 mm) removal.

### Characteristics:

- Salher brand, model TA-RO.
- Manufactured in AISI 304 stainless steel (optional: AISI 316).
- Stainless steel filtering drum in AISI 304 manufactured with helically wound wire. Johnson type triangular profile
- Available sieve opening sizes from 0.25 to 3 mm.
- Double self-cleaning system: a scraper and inside-out drum cleaning with water under pressure.
- Inlet and outlet pipes and safety overflow discharge in AISI 304 stainless steel.
- Lower draw-off pipe in AISI 304.
- Above-ground installation.

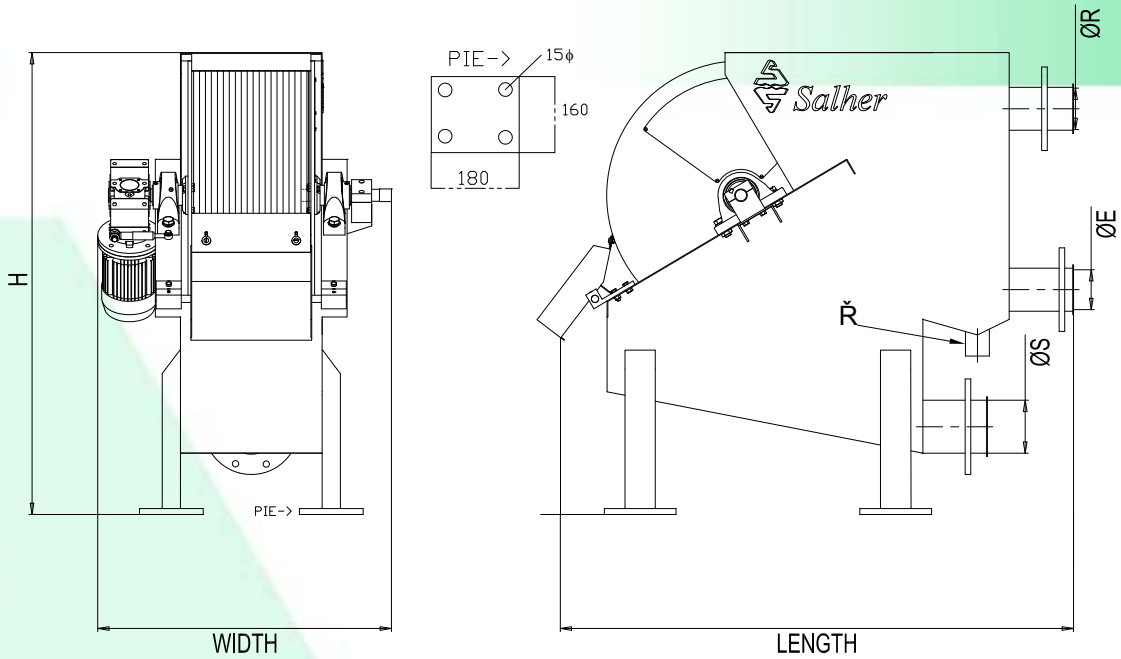


OPENING SIZE [mm]	0,25	0,50	1,00	2,00	3,00
REF.	MAXIMUM CLEAN WATER FLOW RATE (M <sup>3</sup> /H)				
TARO – 300	20	35	50	80	110
TARO – 600	40	72	105	155	190
TARO – 1200	75	135	205	309	375

PLEASE CONTACT US IN CASE OF DIFFERENT FLOW RATES OR SIEVE OPENING REQUIREMENTS

REF.

Panel board  
(optional)



REF.	SCREEN WIDTH [mm]	SCREEN HEIGHT [mm]	SCREEN LENGTH [mm]	Ø DRUM [mm]	DRUM WIDTH [mm]	MOTOR POWER [kW]	FLANGES (E, S, R, P) DN
TARO - 300	720	1.160	1.330	600	325	0.25	100, 125, 100, 50
TARO - 600	1.020	1.160	1.330	600	625	0.25	125, 150, 100, 50
TARO - 1200	1.620	1.160	1.330	600	1225	0.25	150, 200, 125, 50

E= INLET, S= OUTLET, R=OVERFLOW, P=DRAW-OFF

OPTIONAL: SPIRAL REFUSE COMPACTOR

**ROTARY DRUM SCREEN COMPACTOR**  
 REF: COMPAC-TA-RO

**Application:**

- Solids (from 0.25 to 3 mm) removal by filtration (solid-liquid separation).

REF.
COMPAC-TA-RO - 300
COMPAC-TA-RO - 600
COMPAC-TA-RO - 1200

