

## SEMI-AUTOMATIC SCREENING CHANNEL FOR COARSE AND FINE SOLIDS

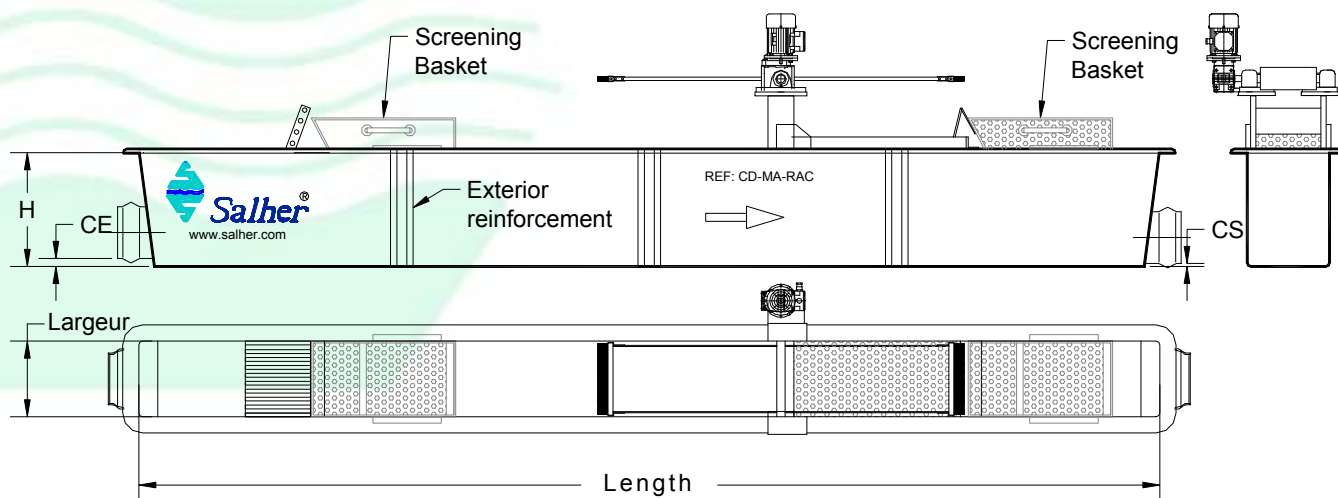
REF: CD – MA – RAC

### Application:

- Coarse and fine solids (equal or larger than 6 mm) removal.

### Characteristics:

- Salher brand, model CD-MA-RAC.
- The canal is manufactured in Glass Fiber Reinforced Polyester (GFRP) with orthophthalic resins.
- Stainless steel screen with an opening screening size of 30 mm for coarse solids removal.
- Perforated stainless steel screen with an opening screening size of 6 mm for fine solids removal.
- Manual refuse removal from the coarse screen and automatic refuse removal from the fine screen.
- PVC inlet and outlet pipes.
- Stainless steel basket with perforated bottom for the refuse recovery and dewatering.
- Open top.
- Stainless steel scrapers for the manual refuse removal.



WIDTH A [mm]	HEIGHT H [mm]	CHANNEL LENGTH [mm]	INLET [mm]	OUTLET [mm]	COARSE SCREEN [mm]	FINE SCREEN [mm]	Ø PIPE [mm]
200	360	3.000	50	40	200x380	200x380	125
400	400	3.000	50	40	400x380	400x380	315

INNER DIMENSIONS IN MM  
 PIPE DIAMETER MAY BE ADJUSTED UPON REQUEST