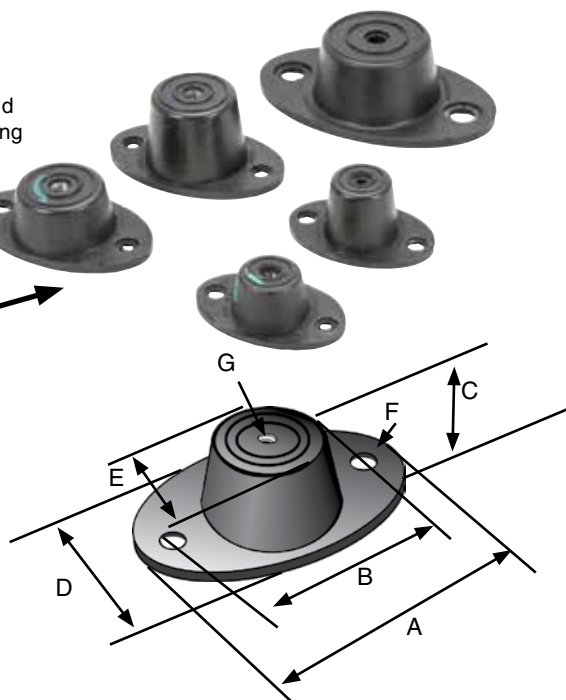


## CONFLEX ISOLATORS

Conflex isolators are designed to meet almost all machinery installations within the load range. available in four rubber hardnesses they are the versatile answer to your mobile or static vibration problems.

Rubber base for anti skid when used without bolting base to the floor

Elliptical Base



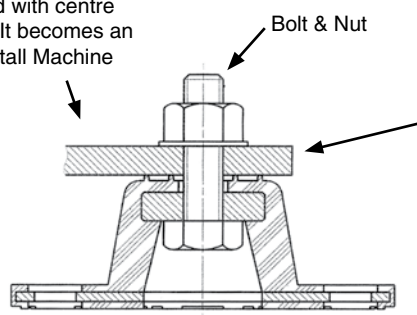
Available in Neoprene for "NM12" suffix part numbers

Part No.	Nominal Hardness - Shore A				Max. Deflection mm	Weight g	A mm	B mm	C mm	D mm	E mm	F mm	G
	35	45	55	65									
	Maximum Load												
	kg												
M1111##	30	40	50	75	6	80	80	60	28	50	31	8.5	M8
M1111D##	40	55	80	110	8	95	80	60	38	50	31	8.5	M8
M1112##	90	110	160	250	6	150	100	76	32	60	46	8.5	M10
M1112D##	80	110	160	250	10	170	100	76	48	60	45	11.5	M10
M1112##NM12	90	110	160	250	6	150	100	76	32	60	46	8.5	M12
M1114##	115	170	240	405	6	430	140	104	44	85	60	14	M12

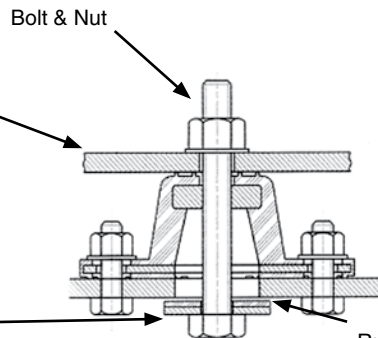
# = hardness (35,45,55,65)

## STATIONARY APPLICATION MOBILE APPLICATION

When used with centre nut & bolt, It becomes an easy to install Machine Footing



Equipment



Steel Washer

Rubber Washer

Note: Rubber & Steel washer not supplied by Mackay Consolidated

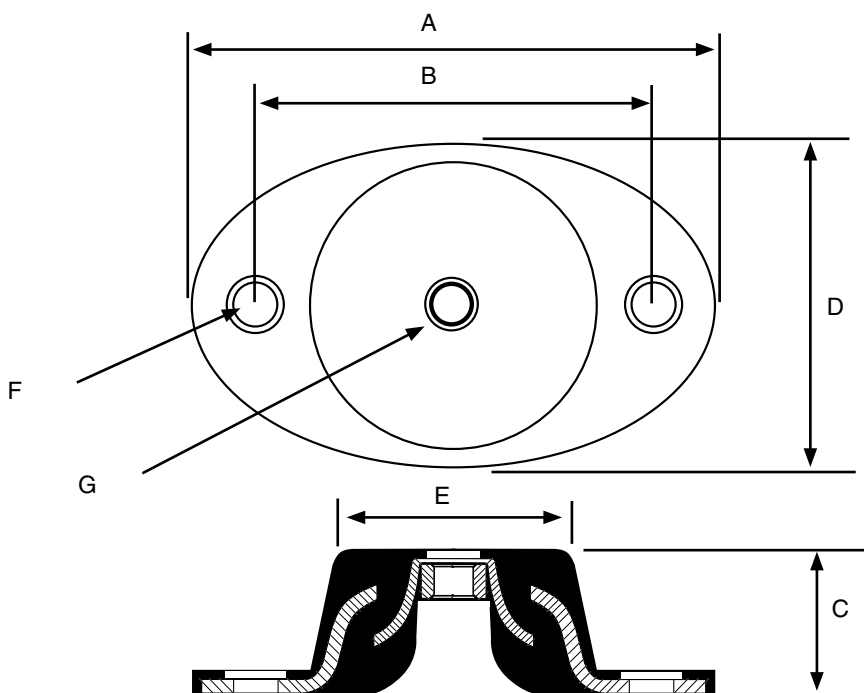
All properties nominal, contact Mackay for Technical advice

All Dimensions in Millimetres

## STAINLESS STEEL CONFLEX SAFETY INTERLOCKED ISOLATOR

Similar dimensions to M1112 ## Isolators with the inclusion of internal safety interlocks for failsafe protection.

Manufactured in high grade oil resisting rubber compound and type 304 stainless steel for marine and corrosive applications.



Part No.	A	B	C	D	E	F	G	Weight Kg
M1113SN30	100	76	28.5	60	46	8.5	M8	0.2
M1113SN40	100	76	28.5	60	46	8.5	M8	0.2
M1113SN50	100	76	28.5	60	46	8.5	M8	0.2
M1113SN60	100	76	28.5	60	46	8.5	M8	0.2
M1113SN70	100	76	28.5	60	46	8.5	M8	0.2

### NOMINAL CHARACTERISTICS

Part No.	Max Load Kg	Max Def mm	Colour Code
M1113SN30	70	2.5	Green
M1113SN40	130	2.5	Red
M1113SN50	210	2.5	Yellow
M1113SN60	270	2.5	White
M1113SN70	330	2.5	Silver

All properties nominal, contact Mackay for Technical advice

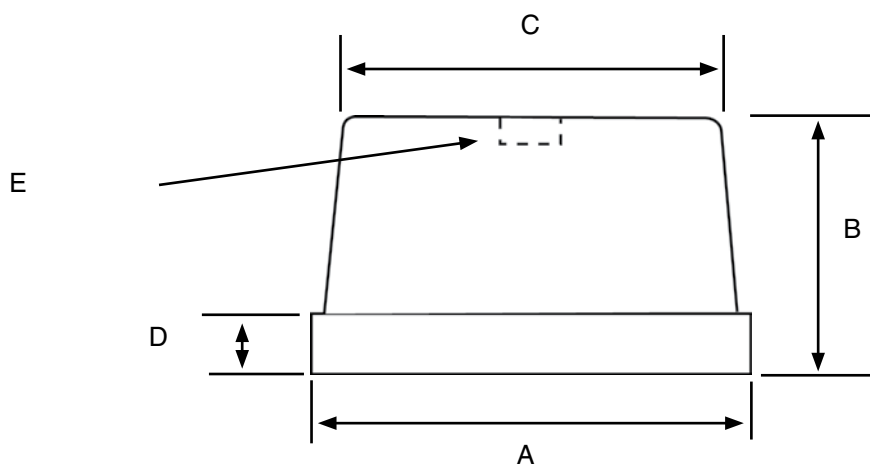
All Dimensions in Millimetres

## CONFLEX FOOT ISOLATOR

The Conflex Foot Isolator is similar in style to our existing range but is supplied minus the two holed fixing flange. Designed as a free standing isolator for use under a wide range of equipment it requires no fixing to the floor, simply attach to the equipment and lower into position

Typical applications include:

- Small portable Petrol / Diesel driven equipment
- Pumps
- Air conditioning units



### DIMENSIONS

A	B	C	D	E	Weight Kg
58	35	46	9	M8	0.12

### STATIC DEFLECTION AT MAXIMUM LOAD

Part No.	Duro	Load Kg	Def mm
M112235M8	35	80	6

All properties nominal, contact Mackay for Technical advice

All Dimensions in Millimetres