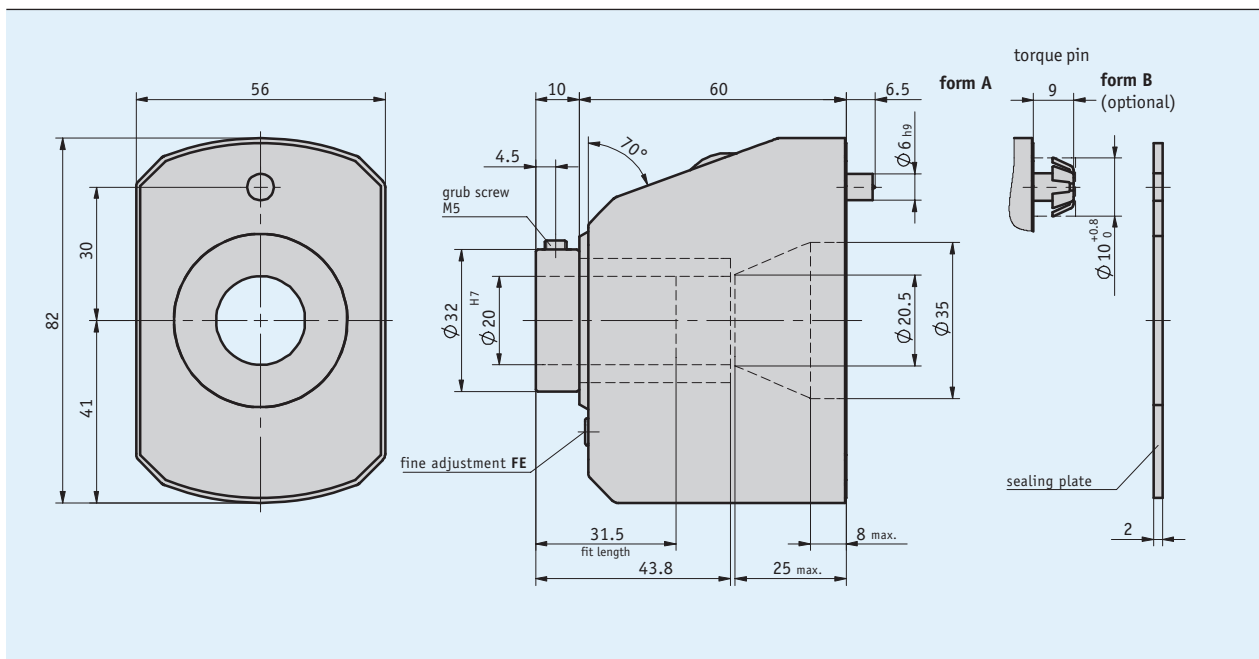


Profile

- Robust design in a metal housing
- Hollow shaft, max. Ø 20 mm
- Counter with 5 decades and fine reading
- Display can be designed for “mm” or “inch”
- Attenuated counter system
- Fine setting for correction of dimensions
- Reversible counting direction



Mechanical data

Feature	Technical data	Additional information
Housing	zinc die-cast	
Counter	5 decades, fine reading	
Digit height	~7 mm	
Weight	0.5 kg	

max. speed

Display (after 1st revolution)	max. speed [rpm]
00010	500 (1500)
00015	500 (1000)
00020	500 (750)
00025	500 (600)
00030	500
00040	375
00050	300
00060	250
00080	180
00100	150

Formula:

$$\text{max. speed} = \frac{15000}{\text{indication after 1st revolution}}$$

Speeds >500 rpm must only be run for short periods.

Ambient conditions

Feature	Technical data	Additional information
Ambient temperature	0 ... 80 °C	

Order

Ordering information

Display	Mounting position		Counting direction
	 02	 04	 e i

Hint: Texts highlighted in orange color are ordering features

Ordering table

Feature	Ordering data	Specification	Additional information
Mounting position	... A	02, 04	see the icons illustrating the mounting positions
Indication after 1st revolution	... B	10, 15, 20, 25, 30, 40, 50, 60, 80, 100 others on request	
Decimal place	0	0 = 00000	
	1	1 = 0000.0	
	2	2 = 000.00	
	3	3 = 00.000	
	4	4 = 0.0000	
Counting direction	i	clockwise ascending values	
	e	counter-clockwise ascending values	
	e/i	can be adjusted by the customer	by opening the housing, see mounting instructions
Hollow shaft/diameter	... E	20 in mm	
	...	RH8, RH10, RH12, RH14, RH16, RH18	reducing bushes
Color	0	orange RAL 2004	
	S	black RAL 9005	
Fine adjustment	FE	with fine adjustment	
	OFE	without fine graduation	
Slipping clutch	RK	with sliding clutch	only with fine adjustment "FE"
	ORK	without sliding clutch	only with fine adjustment "OFE"
Labyrinth seal	OLD	without labyrinth seal	
	LD	with labyrinth seal	

Order key

DA05/1 - - - - - - - - - - - -

A
B
C
D
E
F
G
H
A
I

Scope of delivery: DA05/1, Mounting instructions

Accessories:
Reduction sleeve RH

www.siko-global.com