

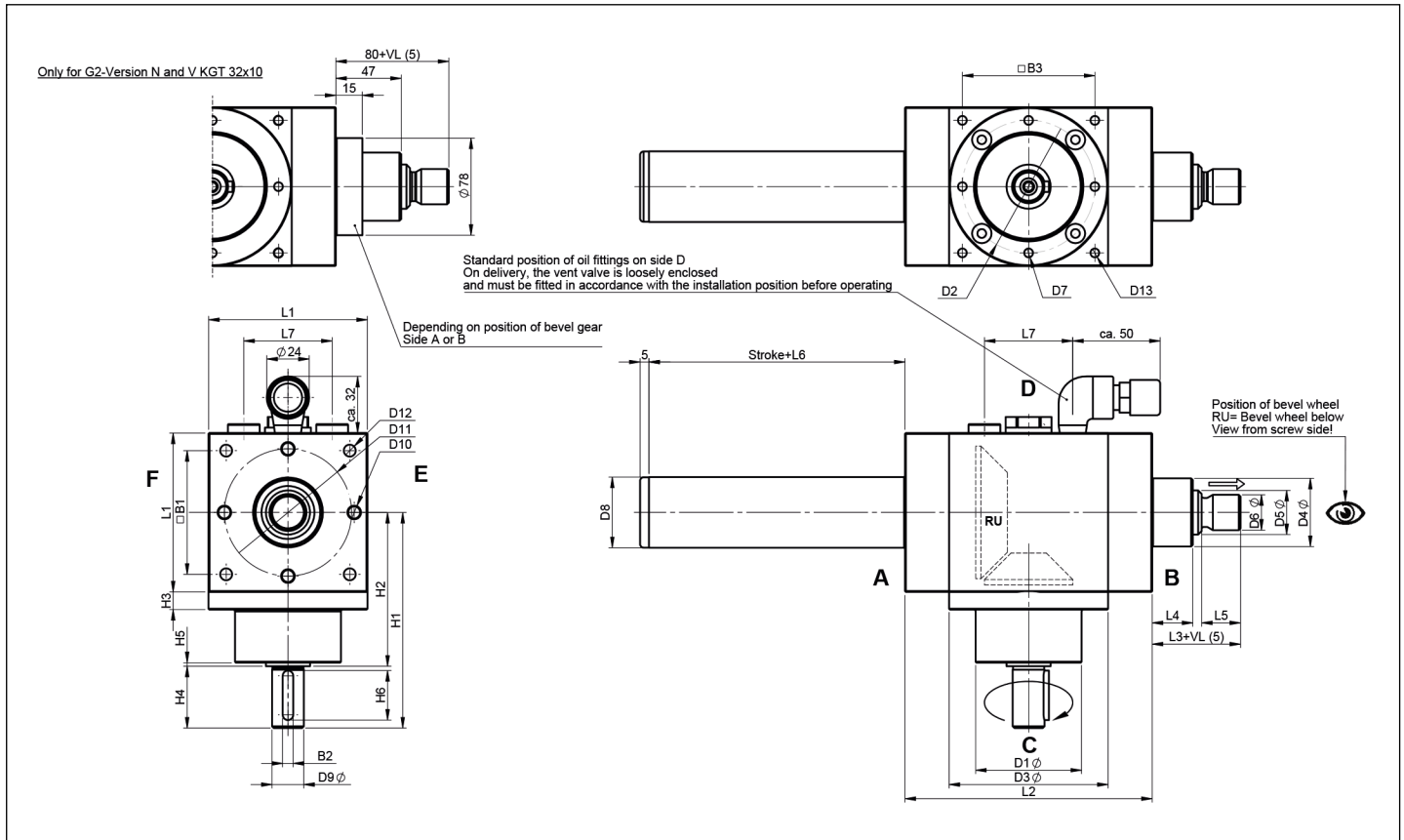
High-speed screw jacks G-Series

NEFF High-Speed-Screw-Jacks supplement our offer of worm gear screw jacks. They are more efficient and may be used in a broader field of applications. They may be used in a medium load range (12.3 kN-117 kN1), with a high lifting speed and longer operating time.

All high speed screw jacks are equipped with hardened, sharpened and spiral-toothed bevel gear transmissions. Therefore, they attain high lifting speeds and improved efficiency. The models N, VK and R are available in three sizes with 2:1 and 3:1 transmissions. With ball screws, high Speed Screw Jacks become even more dynamic. With this better performance values new applications are opened.

All high-speed screw jacks are functional in every installation position and can be mounted flexibly thanks to the cubic form. According to the customer's request they are delivered with up to four drive shafts. Lifting assemblies with several High-Speed-Screw-Jacks do not therefore require additional bevel gears.

High-speed screw jacks Dimensions type N/VK



Size	L1	L2	L3	L4	L5	L6	L7	B1	B2	B3	H1	H2	H3	H4	H5	H6	D1	D2	D3	h7
G1	90	140	50	23	22	35/70 ⁴	50	-	6	-	122	87	10	35	2	25	60	75	89	
G2	140	190	65	32	29	45/100 ⁴	90	113	10	110	180	130	13	50	2	45	90	-	135	
G3	230	295	95	40	48	60/110 ⁴	180	-	16/12 ¹	180	305/310 ¹	215/230 ¹	17,5	90/80 ¹	2/3,5 ¹	80/63 ¹	150/120 ¹	-	225	

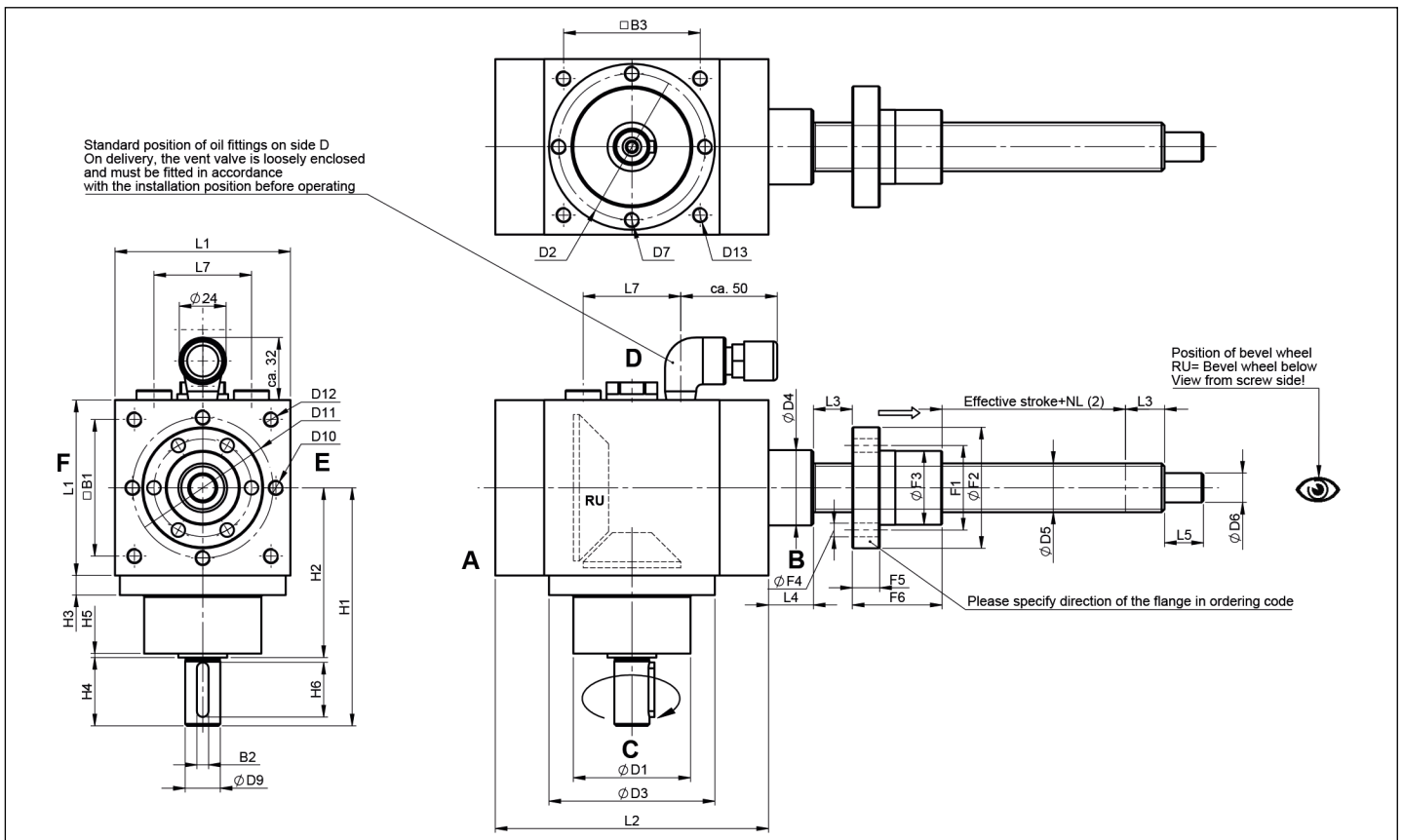
Size	D4	D5	D6	D7	D8	D9 j6	D10	D11	D12	D13
G1	39	T24x5/K2505	M18/M20 ³	M8	42/□40 ²	18/12 ¹	M10	72	-	-
G2	60	T40x7/K4005	M30/M20 ³	-	65/□65 ²	32/28 ¹	-	-	M12	M10
G3	90	T60x9/K6310	M48x2 ³	-	90/□90 ²	55/40 ¹	M20	180	-	M16

- 1) First dimension for ratio 2:1, second dimension for ratio 3:1
- 2) First dimension for Standard-Version N, second dimension for square-type tube Version V
- 3) First dimension for trapezoidal screw, second dimension for ball screw
- 4) Second dimension for stop collar or locking device
- 5) Screw extension (see productcode)

Technical Data Version N/VK:							
Size ⁷⁾	G1-N-VK-TGS 24x5	G1-N-VK-KGS 2505	G2-N-VK-TGS 40x7	G2-N-VK-KGS 3210	G2-N-VK-KGS 4005	G3-N-VK-TGS 60x9	G3-N-VK-KGS 6310
Max. stroke and drag force in [kN]	20,6	12,3	44,5	33,4	23,8	117	76
Stroke per full turn of the screw shaft, ratio 2:1 in [mm] ⁸	2,5	2,5	3,5	5	2,5	4,5	5
Stroke per full turn of the screw shaft, ratio 3:1 in [mm] ⁸	1,6	1,6	2,3	3,33	1,6	3	3,33
Max. stroke speed in m/min ratio 2:1, 3000/min	· ¹	7,5	· ²	15	7,5	· ³	15
Max. stroke speed in m/min ratio 3:1, 3000/min	· ⁴	5,01	· ⁵	10	4,99	· ⁶	9,99
Efficiency (with screw)	0,45	0,75	0,4	0,75	0,75	0,35	0,75
Gear efficiency	0,91	0,91	0,93	0,93	0,93	0,94	0,94
Idling torque for ratio 2:1	1,44	1,44	1,89	1,89	1,89	3,69	3,69
Idling torque for ratio 3:1	1,35	1,35	1,8	1,8	1,8	3,6	3,6
Max. moment of a torque on the screw shaft in [Nm]	50	50	175	175	175	1600	1600

- 1) max. permissible screw revolution speed (max. 4,55m/min at 1820/min)
- 2) max. permissible screw revolution speed (max. 1,82m/min at 520/min)
- 3) max. permissible screw revolution speed (max. 1,44m/min at 320/min)
- 4) max. permissible screw revolution speed (max. 4,55m/min at 2730/min)
- 5) max. permissible screw revolution speed (max. 1,82m/min at 780/min)
- 6) max. permissible screw revolution speed (max. 1,44m/min at 460/min)
- 7) all screw sizes with other threads in stock
- 8) ratio 1:1 on request

High-speed screw jacks Dimensions type R



Size	L1	L2	L3	L4	L5	L7	B1	B2	B3	H1	H2	H3	H4	H5	H6	D1	D2	D3 h7
G1	90	140	20	23	25	50	-	6	-	122	87	10	35	2	25	60	75	89
G2	140	190	25	32	30	90	113	10	110	180	130	13	50	2	45	90	-	135
G3	230	295	40	40	55	180	-	16/12 ¹⁾	180	305/310 ¹⁾	215/230 ¹⁾	17	90/80 ¹⁾	7,5	80/63 ¹⁾	150/120 ¹⁾	-	225

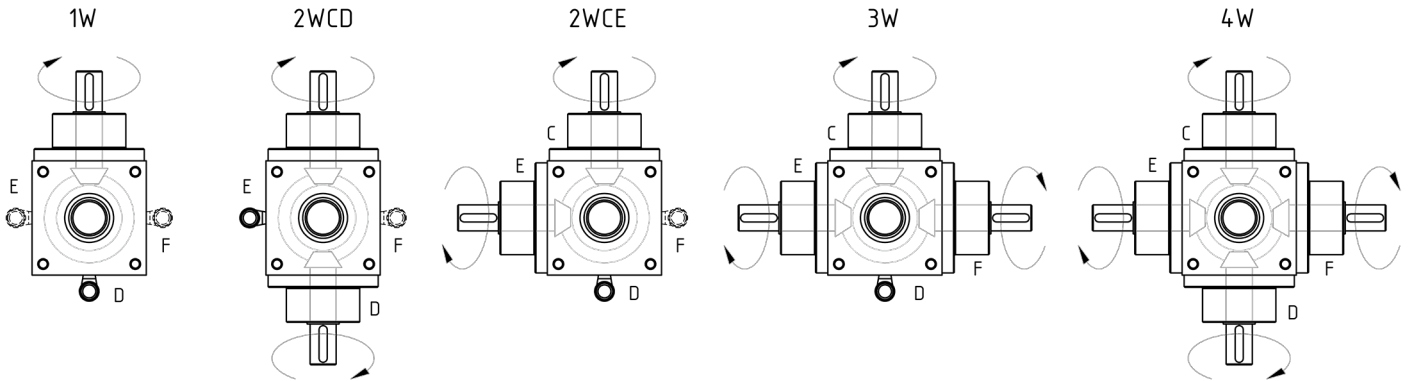
Size	D4	D5	D6 j6	D7	D9 j6	D10	D11	D12	D13	F1	F2	F3	F4	F5	F6
G1	39	T24x5/K2505	20	M8	18/12 ¹⁾	M10	72	-	-	50	62	38	7	14	44/46 ⁹⁾
G2	60	T40x7/K4005	25	-	32/28 ¹⁾	-	-	M12	M10	68	80	53	7	16	73/59 ⁹⁾
G3	90	T60x9/K6310	45	-	55/40 ¹⁾	M20	180	-	M16	105	125	85	11	20	99

- 1) First dimension for ratio 2:1, second dimension for ratio 3:1
- 2) NL: Usable stroke length (see product code)
- 3) First dimension for apezoidal screw, second dimension for ball screw

Technical Data Version R:							
Size ⁷⁾	G1-R-TGS 24x5	G1-R-KGS 2505	G2-R-TGS 40x7	G2-R-KGS 3210	G2-R-KGS 4005	G3-R-TGS 60x9	G3-R-KGS 6310
Max. stroke and drag force in [kN]	19,6	12,3	56,5	33,4	23,8	117	76
Stroke per full turn of the srew shaft, ratio 2:1 in [mm] ⁸⁾	2,5	2,5	3,5	5	2,5	4,5	5
Stroke per full turn of the srew shaft, ratio 3:1 in [mm] ⁸⁾	1,6	1,6	2,3	3,33	1,6	3	3,33
Max. stroke speed in m/min ratio 2:1, 3000/min	- ¹⁾	7,5	- ²⁾	15	7,5	- ³⁾	15
Max. stroke speed in m/min ratio 3:1, 3000/min	- ⁴⁾	5,01	- ⁵⁾	10	4,99	- ⁶⁾	9,99
Efficiency (with screw)	0,45	0,75	0,4	0,75	0,75	0,35	0,75
Gear efficiency	0,91	0,91	0,93	0,93	0,93	0,94	0,94
Idling torque for ratio 2:1	1,44	1,44	1,89	1,89	1,89	3,69	3,69
Idling torque for ratio 3:1	1,35	1,35	1,8	1,8	1,8	3,6	3,6
Max. moment of a torque on the screw shaft in [Nm]	50	50	175	175	175	1600	1600

- 1) max. permissible screw revolution speed (max. 4,55m/min at 1820/min)
- 2) max. permissible screw revolution speed (max. 1,82m/min at 520/min)
- 3) max. permissible screw revolution speed (max. 1,44m/min at 320/min)
- 4) max. permissible screw revolution speed (max. 4,55m/min at 2730/min)
- 5) max. permissible screw revolution speed (max. 1,82m/min at 780/min)
- 6) max. permissible screw revolution speed (max. 1,44m/min at 460/min)
- 7) all screw sizes with other threads in stock
- 8) ratio 1:1 on request

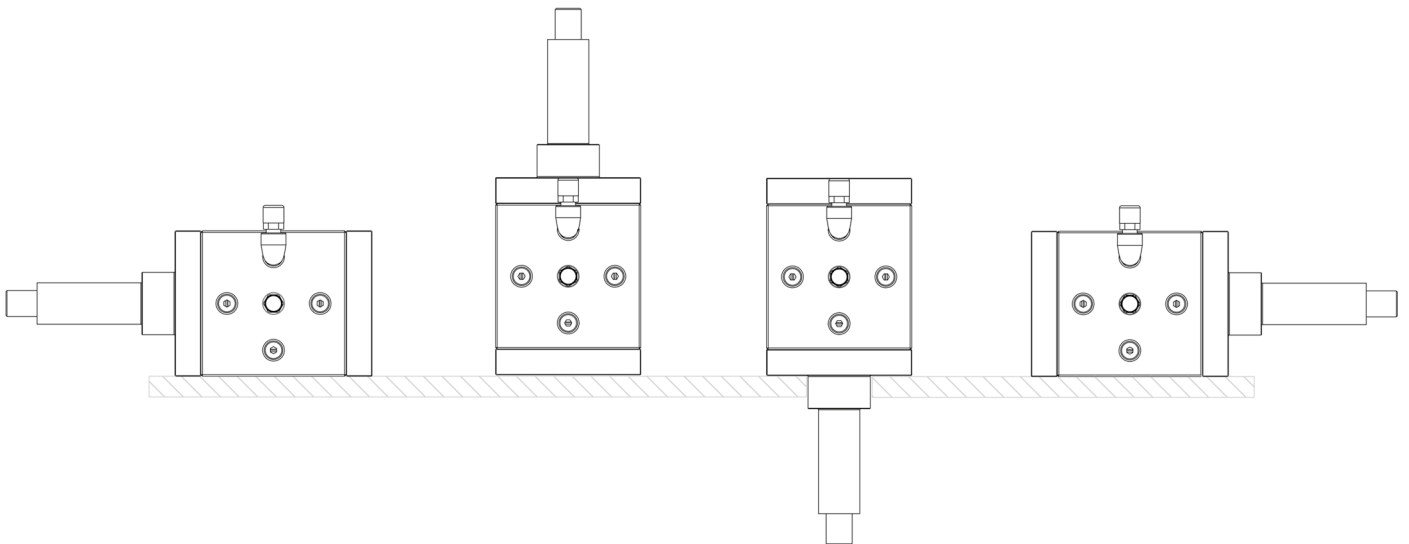
Shaft assemblies & Location of oil armatures



Shaft assemblies

Selection of shaft assemblies and position of oil armatures. The standard positions of the oil armatures is shown in bold. The shaft assemblies and the position of oil armatures can be selected via the product code. Please pay attention that the direction of rotation of the output shaft changes if there are more than one shaft selected.

Installation position of vent valve according to the mounting position



Location of vent valve

Please make sure that the vent valve is in the mounted position is above oil level. At speeds below 1500 1/min the High Speed Screw Jack can be operated without vent valve. In case of swing operation make sure that the vent valve in all times of operating is above the oil level. It consists a risk of oil leakage.

Performance table for High-speed screw jacks with ball screw

- F** Axial load
- H** Low ratio (ex.: 2:1)
- L** High ratio (ex.: 3:1)
- Nm** Required drive torque for axial load **F**
- HNm** Required holding torque for axial load **F** (If – no holding torque is required)
- kW** Required driving power in depending on speed

Screw jacks with other screw pitches as in the performance tables:

For screws with higher pitches the power values can be multiplied by the pitch factor.

For example: If a pitch of 10 mm in place of 5 mm use the existing performance data and multiply by the factor of 2, use a factor of 10 if the pitch is 50 mm in place of 5 mm

G1-KGS-2505																																
n [1/min]	Stroke speed [m/min]		F=15 [kN]						F=10 [kN]						F=5 [kN]						F=2,5 [kN]						F=1 [kN]					
			2:1			3:1			2:1			3:1			2:1			3:1			2:1			3:1			2:1			3:1		
	2:1	3:1	Nm	HNm	kW	Nm	HNm	kW	Nm	HNm	kW	Nm	HNm	kW	Nm	HNm	kW	Nm	HNm	kW	Nm	HNm	kW	Nm	HNm	kW	Nm	HNm	kW			
3000	7,50	5,00	9,76	2,68	3,07	6,79	1,16	2,13	7,11	1,18	2,23	5,10	0,21	1,60	4,45	-	1,40	3,40	-	1,07	3,13	-	0,98	2,55	-	0,80	2,33	-	0,73	2,04	-	0,64
2250	5,63	3,75	9,76	2,68	2,30	6,79	1,16	1,60	7,11	1,18	1,67	5,10	0,21	1,20	4,45	-	1,05	3,40	-	0,80	3,13	-	0,74	2,55	-	0,60	2,33	-	0,55	2,04	-	0,48
1500	3,75	2,50	9,76	2,68	1,53	6,79	1,16	1,07	7,11	1,18	1,12	5,10	0,21	0,80	4,45	-	0,70	3,40	-	0,53	3,13	-	0,49	2,55	-	0,40	2,33	-	0,37	2,04	-	0,32
1000	2,50	1,67	9,76	2,68	1,02	6,79	1,16	0,71	7,11	1,18	0,74	5,10	0,21	0,53	4,45	-	0,47	3,40	-	0,36	3,13	-	0,33	2,55	-	0,27	2,33	-	0,24	2,04	-	0,21
750	1,88	1,25	9,76	2,68	0,77	6,79	1,16	0,53	7,11	1,18	0,56	5,10	0,21	0,40	4,45	-	0,35	3,40	-	0,27	3,13	-	0,25	2,55	-	0,20	2,33	-	0,18	2,04	-	0,16
500	1,25	0,83	9,76	2,68	0,51	6,79	1,16	0,36	7,11	1,18	0,37	5,10	0,21	0,27	4,45	-	0,23	3,40	-	0,18	3,13	-	0,16	2,55	-	0,13	2,33	-	0,12	2,04	-	0,10
250	0,63	0,42	9,76	2,68	0,26	6,79	1,16	0,18	7,11	1,18	0,19	5,10	0,21	0,13	4,45	-	0,12	3,40	-	0,10	3,13	-	0,08	2,55	-	0,10	2,33	-	0,06	2,04	-	0,10

G2-KGS-4005																																
n [1/min]	Stroke speed [m/min]		F=50 [kN]						F=30 [kN]						F=20 [kN]						F=10 [kN]						F=5 [kN]					
			2:1			3:1			2:1			3:1			2:1			3:1			2:1			3:1			2:1			3:1		
	2:1	3:1	Nm	HNm	kW	Nm	HNm	kW	Nm	HNm	kW	Nm	HNm	kW	Nm	HNm	kW	Nm	HNm	kW	Nm	HNm	kW	Nm	HNm	kW	Nm	HNm	kW	Nm	HNm	kW
3000	7,50	5,00	28,83	9,64	9,06	19,18	5,44	6,02	18,22	4,86	5,72	12,39	2,38	3,89	12,91	2,47	4,06	8,99	0,86	2,82	7,61	0,09	2,39	5,60	-	1,76	4,95	-	1,56	3,90	-	1,22
2250	5,63	3,75	28,83	9,64	6,79	19,28	5,44	4,54	18,22	4,86	4,29	12,49	2,38	2,94	12,91	2,47	3,04	8,99	0,86	2,12	7,61	0,09	1,79	5,60	-	1,32	4,95	-	1,17	3,90	-	0,92
1500	3,75	2,50	28,83	9,64	4,53	19,28	5,44	3,03	18,22	4,86	2,86	12,49	2,38	1,96	12,91	2,47	2,03	8,99	0,86	1,41	7,61	0,09	1,19	5,60	-	0,88	4,95	-	0,78	3,90	-	0,61
1000	2,50	1,67	28,83	9,64	3,02	19,28	5,44	2,02	18,22	4,86	1,91	12,49	2,38	1,31	12,91	2,47	1,35	8,99	0,86	0,94	7,61	0,09	0,80	5,60	-	0,59	4,95	-	0,52	3,90	-	0,41
750	1,88	1,25	28,83	9,64	2,26	19,28	5,44	1,51	18,22	4,86	1,43	12,49	2,38	0,98	12,91	2,47	1,01	8,99	0,86	0,71	7,61	0,09	0,60	5,60	-	0,44	4,95	-	0,39	3,90	-	0,31
500	1,25	0,83	28,83	9,64	1,51	19,28	5,44	1,01	18,22	4,86	0,95	12,49	2,38	0,65	12,91	2,47	0,68	8,99	0,86	0,47	7,61	0,09	0,40	5,60	-	0,29	4,95	-	0,26	3,90	-	0,20
250	0,63	0,42	28,83	9,64	0,75	19,28	5,44	0,50	18,22	4,86	0,48	12,49	2,38	0,33	12,91	2,47	0,34	8,99	0,86	0,24	7,61	0,09	0,20	5,60	-	0,10	4,95	-	0,13	3,90	-	0,10

G3-KGS-6310																																
n [1/min]	Stroke speed [m/min]		F=90 [kN]						F=75 [kN]						F=50 [kN]						F=25 [kN]						F=10 [kN]					
			2:1			3:1			2:1			3:1			2:1			3:1			2:1			3:1			2:1			3:1		
	2:1	3:1	Nm	HNm	kW	Nm	HNm	kW	Nm	HNm	kW	Nm	HNm	kW	Nm	HNm	kW	Nm	HNm	kW	Nm	HNm	kW	Nm	HNm	kW	Nm	HNm	kW	Nm	HNm	kW
3000	15,00	10,00	99,89	38,57	31,38	67,90	31,47	21,33	83,98	31,41	26,38	57,30	25,51	18,00	57,45	19,47	18,05	39,63	15,57	12,45	30,93	7,54	9,71	21,97	5,64	6,90	15,01	0,37	4,72	11,37	-	3,57
2250	11,25	7,50	99,89	38,57	23,53	67,90	31,47	16,00	83,98	31,41	19,79	57,30	25,51	13,50	57,45	19,47	13,54	39,63	15,57	9,34	30,93	7,54	7,29	21,97	5,64	5,18	15,01	0,37	3,54	11,37	-	2,68
1500	7,50	5,00	99,89	38,57	15,69	67,90	31,47	10,66	83,98	31,41	13,19	57,30	25,51	9,00	57,45	19,47	9,02	39,63	15,57	6,22	30,93	7,54	4,86	21,97	5,64	3,45	15,01	0,37	2,36	11,37	-	1,79
1000	5,00	3,33	99,89	38,57	10,46	67,90	31,47	7,11	83,98	31,41	8,79	57,30	25,51	6,00	57,45	19,47	6,02	39,63	15,57	4,15	30,93	7,54	3,24	21,97	5,64	2,30	15,01	0,37	1,57	11,37	-	1,19
750	3,75	2,50	99,89	38,57	7,84	67,90	31,47	5,33	83,98	31,41	6,60	57,30	25,51	4,50	57,45	19,47	4,51	39,63	15,57	3,11	30,93	7,54	2,43	21,97	5,64	1,73	15,01	0,37	1,18	11,37	-	0,89
500	2,50	1,67	99,89	38,57	5,23	67,90	31,47	3,55	83,98	31,41	4,40	57,30	25,51	3,00	57,45	19,47	3,01	39,63	15,57	2,07	30,93	7,54	1,62	21,97	5,64	1,15	15,01	0,37	0,79	11,37	-	0,60
250	1,25	0,83	99,89	38,57	2,61	67,90	31,47	1,78	83,98	31,41	2,20	57,30	25,51	1,50	57,45	19,47	1,50	39,63	15,57	1,04	30,93	7,54	0,81	21,97	5,64	0,58	15,01	0,37	0,39	11,37	-	0,10

Note: values are valid at an ambient temperature of 20 °C
Tables for other spindle types on request.

Performance table

High speed screw jacks with trapezoidal screw

- F** Axial load
- H** Low ratio (ex.: 2:1)
- L** High ratio (ex.: 3:1)
- Nm** Required drive torque for axial load **F**
- HNm** Required holding torque for axial load **F** (If – no holding torque is required)
- kW** Required driving power in depending on speed

Screw jacks with other screw pitches as in the performance tables:

For screws with higher pitches the power values can be multiplied by the pitch factor.

For example: If a pitch of 10 mm in place of 5 mm use the existing performance data and multiply by the factor of 2, use a factor of 10 if the pitch is 50 mm in place of 5 mm

G1-Tr-24x5																																
n [1/min]	Stroke speed [m/min]		F=15 [kN]						F=10 [kN]						F=5 [kN]						F=2,5 [kN]						F=1 [kN]					
			2:1			3:1			2:1			3:1			2:1			3:1			2:1			3:1			2:1			3:1		
	2:1	3:1	Nm	HNm	kW	Nm	HNm	kW	Nm	HNm	kW	Nm	HNm	kW	Nm	HNm	kW	Nm	HNm	kW	Nm	HNm	kW	Nm	HNm	kW	Nm	HNm	kW			
3000	7,50	5,00	15,06	-	4,73	10,19	-	3,20	10,64	-	3,34	7,36	-	2,31	6,22	-	1,95	4,53	-	1,42	4,01	-	1,26	3,11	-	0,98	2,68	-	0,84	2,27	-	0,71
2250	5,63	3,75	15,06	-	3,55	10,19	-	2,40	10,64	-	2,51	7,36	-	1,73	6,22	-	1,47	4,53	-	1,07	4,01	-	0,94	3,11	-	0,73	2,68	-	0,63	2,27	-	0,53
1500	3,75	2,50	15,06	-	2,37	10,19	-	1,60	10,64	-	1,67	7,36	-	1,16	6,22	-	0,98	4,53	-	0,71	4,01	-	0,63	3,11	-	0,49	2,68	-	0,42	2,27	-	0,36
1000	2,50	1,67	15,06	-	1,58	10,19	-	1,07	10,64	-	1,11	7,36	-	0,77	6,22	-	0,65	4,53	-	0,47	4,01	-	0,42	3,11	-	0,33	2,68	-	0,28	2,27	-	0,24
750	1,88	1,25	15,06	-	1,18	10,19	-	0,80	10,64	-	0,84	7,36	-	0,58	6,22	-	0,49	4,53	-	0,36	4,01	-	0,31	3,11	-	0,24	2,68	-	0,21	2,27	-	0,18
500	1,25	0,83	15,06	-	0,79	10,19	-	0,53	10,64	-	0,56	7,36	-	0,39	6,22	-	0,33	4,53	-	0,24	4,01	-	0,21	3,11	-	0,16	2,68	-	0,14	2,27	-	0,12
250	0,63	0,42	15,06	-	0,39	10,19	-	0,27	10,64	-	0,28	7,36	-	0,19	6,22	-	0,16	4,53	-	0,12	4,01	-	0,10	3,11	-	0,08	2,68	-	0,07	2,27	-	0,06

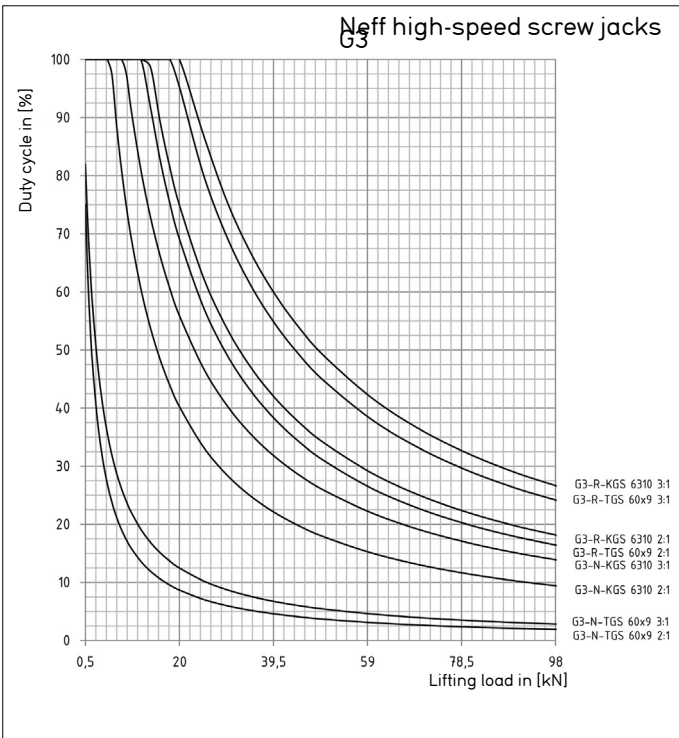
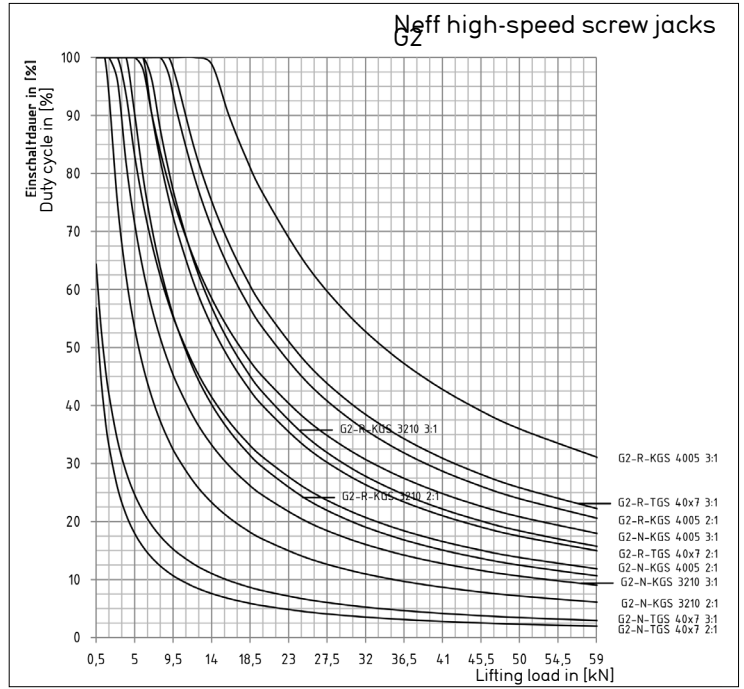
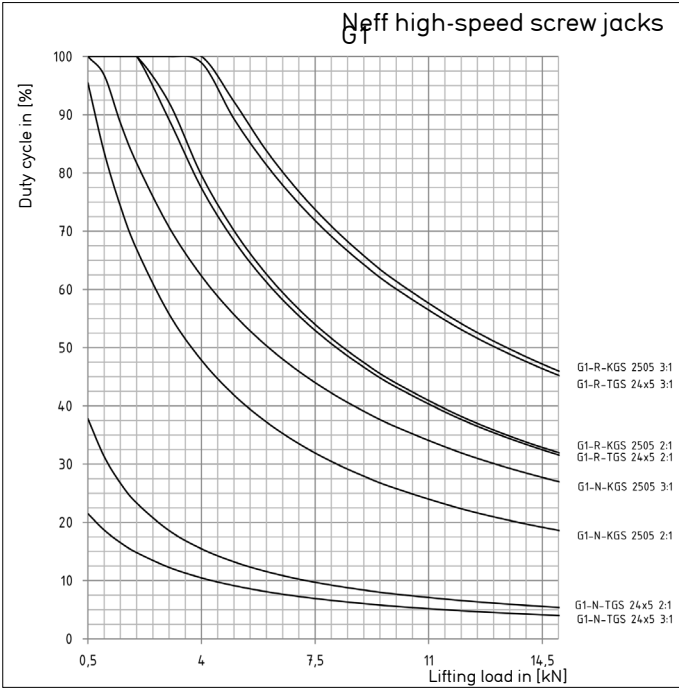
G2-Tr-40x7																																
n [1/min]	Stroke speed [m/min]		F=50 [kN]						F=30 [kN]						F=20 [kN]						F=10 [kN]						F=5 [kN]					
			2:1			3:1			2:1			3:1			2:1			3:1			2:1			3:1			2:1			3:1		
	2:1	3:1	Nm	HNm	kW	Nm	HNm	kW	Nm	HNm	kW	Nm	HNm	kW	Nm	HNm	kW	Nm	HNm	kW	Nm	HNm	kW	Nm	HNm	kW	Nm	HNm	kW	Nm	HNm	kW
3000	10,50	7,00	71,93	-	22,60	48,55	-	15,25	44,08	-	13,85	30,01	-	9,43	30,15	-	9,47	20,74	-	6,52	16,23	-	5,10	11,47	-	3,60	9,26	-	2,91	6,84	-	2,15
2250	7,88	5,25	71,93	-	16,95	48,55	-	11,44	44,08	-	10,38	30,01	-	7,07	30,15	-	7,10	20,74	-	4,89	16,23	-	3,82	11,47	-	2,70	9,26	-	2,18	6,84	-	1,61
1500	5,25	3,50	71,93	-	11,30	48,55	-	7,63	44,08	-	6,92	30,01	-	4,71	30,15	-	4,74	20,74	-	3,26	16,23	-	2,55	11,47	-	1,80	9,26	-	1,45	6,84	-	1,07
1000	3,50	2,33	71,93	-	7,53	48,55	-	5,08	44,08	-	4,62	30,01	-	3,14	30,15	-	3,16	20,74	-	2,17	16,23	-	1,70	11,47	-	1,20	9,26	-	0,97	6,84	-	0,72
750	2,63	1,75	71,93	-	5,65	48,55	-	3,81	44,08	-	3,46	30,01	-	2,36	30,15	-	2,37	20,74	-	1,63	16,23	-	1,27	11,47	-	0,90	9,26	-	0,73	6,84	-	0,54
500	1,75	1,17	71,93	-	3,77	48,55	-	2,54	44,08	-	2,31	30,01	-	1,57	30,15	-	1,58	20,74	-	1,09	16,23	-	0,85	11,47	-	0,60	9,26	-	0,48	6,84	-	0,36
250	0,88	0,58	71,93	-	1,88	48,55	-	1,27	44,08	-	1,15	30,01	-	0,79	30,15	-	0,79	20,74	-	0,54	16,23	-	0,42	11,47	-	0,10	9,26	-	0,24	6,84	-	0,10

G3-Tr-60x9																																
n [1/min]	Stroke speed [m/min]		F=90 [kN]						F=75 [kN]						F=50 [kN]						F=25 [kN]						F=10 [kN]					
			2:1			3:1			2:1			3:1			2:1			3:1			2:1			3:1			2:1			3:1		
	2:1	3:1	Nm	HNm	kW	Nm	HNm	kW	Nm	HNm	kW	Nm	HNm	kW	Nm	HNm	kW	Nm	HNm	kW	Nm	HNm	kW	Nm	HNm	kW	Nm	HNm	kW	Nm	HNm	kW
3000	13,50	9,00	188,57	-	59,24	127,08	-	39,92	157,87	-	49,59	106,61	-	33,49	106,71	-	33,52	72,51	-	22,78	55,56	-	17,45	38,40	-	12,06	24,86	-	7,81	17,94	-	5,64
2250	10,13	6,75	188,57	-	44,43	127,08	-	29,94	157,87	-	37,19	106,61	-	25,12	106,71	-	25,14	72,51	-	17,08	55,56	-	13,09	38,40	-	9,05	24,86	-	5,86	17,94	-	4,23
1500	6,75	4,50	188,57	-	29,62	127,08	-	19,96	157,87	-	24,80	106,61	-	16,75	106,71	-	16,76	72,51	-	11,39	55,56	-	8,73	38,40	-	6,03	24,86	-	3,91	17,94	-	2,82
1000	4,50	3,00	188,57	-	19,75	127,08	-	13,31	157,87	-	16,53	106,61	-	11,16	106,71	-	11,17	72,51	-	7,59	55,56	-	5,82	38,40	-	4,02	24,86	-	2,60	17,94	-	1,88
750	3,38	2,25	188,57	-	14,81	127,08	-	9,98	157,87	-	12,40	106,61	-	8,37	106,71	-	8,38	72,51	-	5,69	55,56	-	4,36	38,40	-	3,02	24,86	-	1,95	17,94	-	1,41
500	2,25	1,50	188,57	-	9,87	127,08	-	6,65	157,87	-	8,27	106,61	-	5,58	106,71	-	5,59	72,51	-	3,80	55,56	-	2,91	38,40	-	2,01	24,86	-	1,30	17,94	-	0,94
250	1,13	0,75	188,57	-	4,94	127,08	-	3,33	157,87	-	4,13	106,61	-	2,79	106,71	-	2,79	72,51	-	1,90	55,56	-	1,45	38,40	-	1,01	24,86	-	0,65	17,94	-	0,10

Note: values are valid at an ambient temperature of 20 °C
Tables for other spindle types on request.

High-speed screw jacks G1-G3

Operating time-Chart at 1500/min and 20° ambient temperature



To calculate the Operating time ED_n/h for other speeds, multiply the Operating time in [%] with the speed-factor fn_{neff} :

$$ED_n/h \text{ in } [\%] = ED_d/h \times fn_{neff}$$

If different speeds determine the average of speed:

$$n_m = n_1 \times q_1 + n_2 \times q_2 + \dots + n_i \times q_i / 100$$

n_1, n_2, \dots = Speed in [1/min] during the clearance

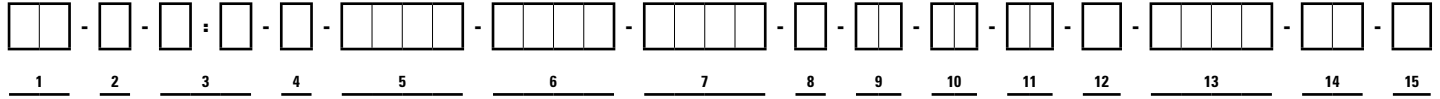
q_1, q_2, \dots = Dues of load duration in [%]

n_m = Average speed in [1/min]

speed	speed factor fn_{neff}
3000	0,5
2500	0,6
2000	0,75
1000	1,5
750	2
500	3
250	6

NEFF-Ordering Code

High Speed Screw Jack



Nr.	Designation	Code	Description
1	Size	G1, G2, G3	
2	Design	N, VK, R	Lifting screw Lifting screw, protected against twisting by square tube Rotating screw
3	Transmission ratio	2:1 3:1	Gearboxes available for all sizes
4	Type of screw	T K	Trapezoidal screw drive Ball screw drive
5	Screw dimension		e.g. 2005 = diameter 20mm, pitch 5mm
6	Stroke in [mm]		Specification of the stroke length
7	Screw extension VL in [mm] for version N/V Usable stroke length NL in [mm] for version R		Screw extension VL, usable stroke length NL e.g. due to block, mounting situation. See product drawings
8	Screw end	M A S Z	Metric threaded stem End with chamfer Custom (according to specification, description or drawing) Centric stem (standard for version R)
9	Attached part for version N/VK/VP	0 BP GA GK HG	None With fastening plate mounted With spherical bearing mounted With fork end mounted With high-performance fork end mounted
	Nut type for version R (other types on request)	F-D F-N D-F N-F EFM-N N-EFM SFF-N N-SFF SFZ-N N-SFZ	Flanged nut according DIN 69051 (flange direction to housing) Flanged nut according Neff-Norm (flange direction to housing) Flanged nut according DIN 69051 (flange direction to screw end) Flanged nut according Neff-Norm (flange direction to screw end) trapezoidal-threaded nut-NEFF-Norm (flange direction to housing) trapezoidal-threaded nut-NEFF-Norm (flange direction to screw end) safety nut - flange side-NEFF-Norm (flange direction to housing) safety nut - flange side-NEFF-Norm (flange direction to screw end) safety nut - centric side-NEFF-Norm (flange direction to housing) safety nut - centric side-NEFF-Norm (flange direction to screw end)
10	Screw cover	0 FB SF	None With bellow With spiral spring cover
11	Anti-unscrewing device	0 AS	None With (installed as standard with ball screw drive)
12	Position of oil fittings	D E F	See product drawings G1-G3 Standard location see description No. 13
13	Shaft arrangement	1W 2WCD 2WCE 3W	1 shaft end (position of oil fittings - side D) 2 shaft ends on side C and D (180°, position of oil fittings - side E) 2 shaft ends on side C and E (90°, position of oil fittings - side D) 3 shaft ends (position of oil fittings - side D)
14	Gear wheel arrangement	RO RU	Gear wheel above (viewed from screw side to gearbox) Gear wheel below (viewed from screw side to gearbox)
15	Requirements	0 1	None According to specification, description or drawing