

# Hydrophone TC4040

## Reference Hydrophone



- **Wide operating frequency range**
- **Flat response over a wide frequency range**
- **Titanium mounting support**
- **Individually calibrated**
- **Water blocked cable to Mil: C-915**

### TC4040

The TC4040 is an ideal standard reference hydrophone for calibration of transducers, hydrophones and underwater acoustic measurement systems.

The TC4040 offers flat frequency receiving response over a wide frequency range and the relatively high transmitting sensitivity makes it very useful within many areas of underwater acoustic research, tests and measurements.

The TC4040 utilises sensor element technology that ensures a high stability with time and excellent performance.

The ceramic sensor element is encapsulated in Special formulated NBR. The metallic support made of titanium, allows for precise mounting in suspension hangers.

#### TECHNICAL SPECIFICATIONS

Usable Frequency range:	1Hz to 120kHz +2 -10dB
Linear Frequency range:	1Hz to 80kHz ±2dB
Receiving voltage Sensitivity:	-206dB re 1V/μPa (±3dB) 56μV/Pa (nominal)
Charge Sensitivity:	0.42pC/Pa (nominal)
Transmitting sensitivity:	132dB re 1μPa/V at 1m (at 50kHz)
Horizontal directivity:	Omnidirectional ±2dB at 100kHz (Typical)
Vertical directivity:	270° ±2dB at 50kHz (Typical)
Capacitance:	8.3nF (nominal)
Leakage resistance:	>2Gohm
Operating depth:	400m
Survival depth:	500m
Operating temperature range:	-2°C to +80°C
Storage temperature range:	-40°C to +80°C
Weight incl. Cable, (in air):	1.6kg
Cable (length and type):	10m shielded twisted pair, DSS-2 MIL-C-915 Optional cable lengths available on request
Encapsulating material:	Special formulated NBR
Metal body:	Titanium



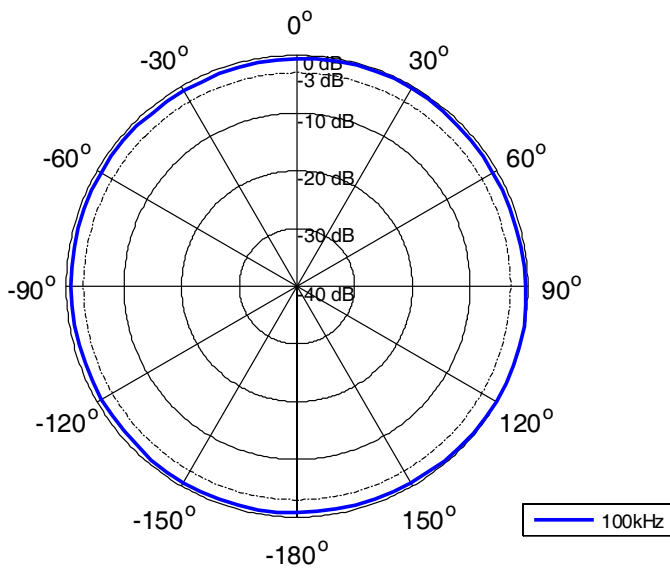
# Hydrophone TC4040

## Reference Hydrophone

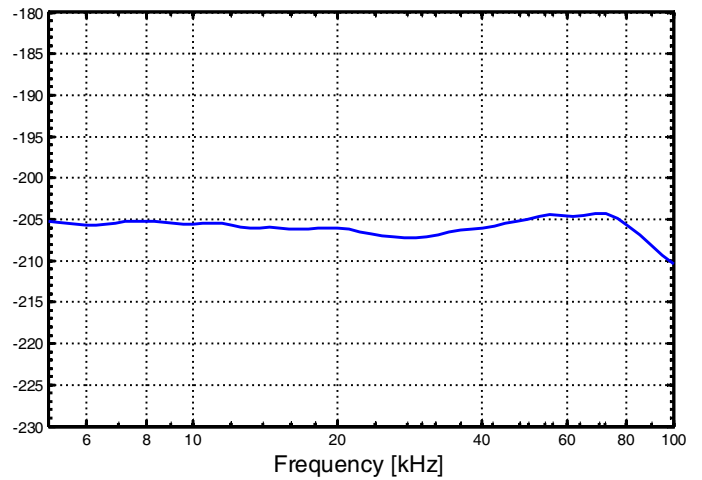
### NBR means Nitrile Rubber

The NBR rubber is first of all resistant to sea and fresh water but also resistant to oil. It is limited resistant to petrol, limited resistant to most acids and will be destroyed by base, strong acids, halogenated hydrocarbons (carbon tetrachloride, trichloroethylene), nitro hydrocarbons (nitrobenzene, aniline), phosphate ester hydraulic fluids, Ketones (MEK, acetone), Ozone and automotive brake fluid.

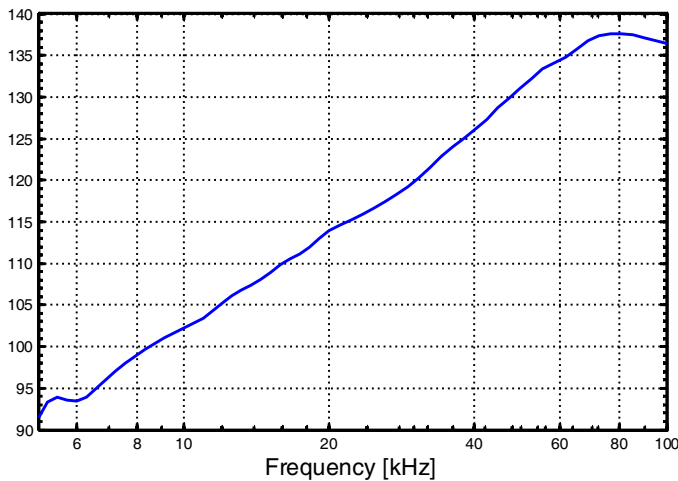
Horizontal Directivity Pattern



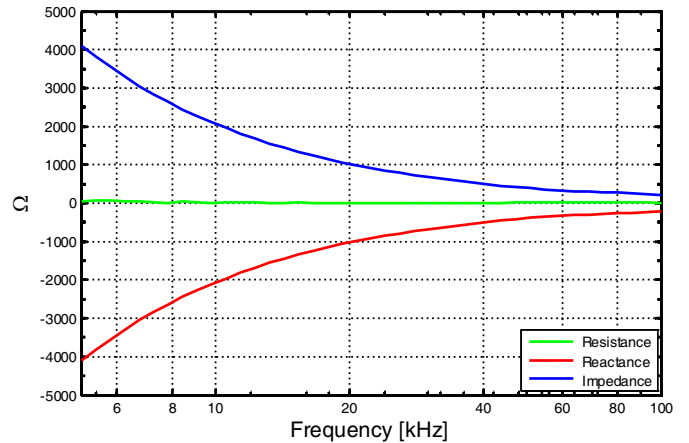
Receiving Sensitivity [dB re 1V/μPa @ 1m]



Transmitting Sensitivity [dB re 1μPa/V @ 1m]



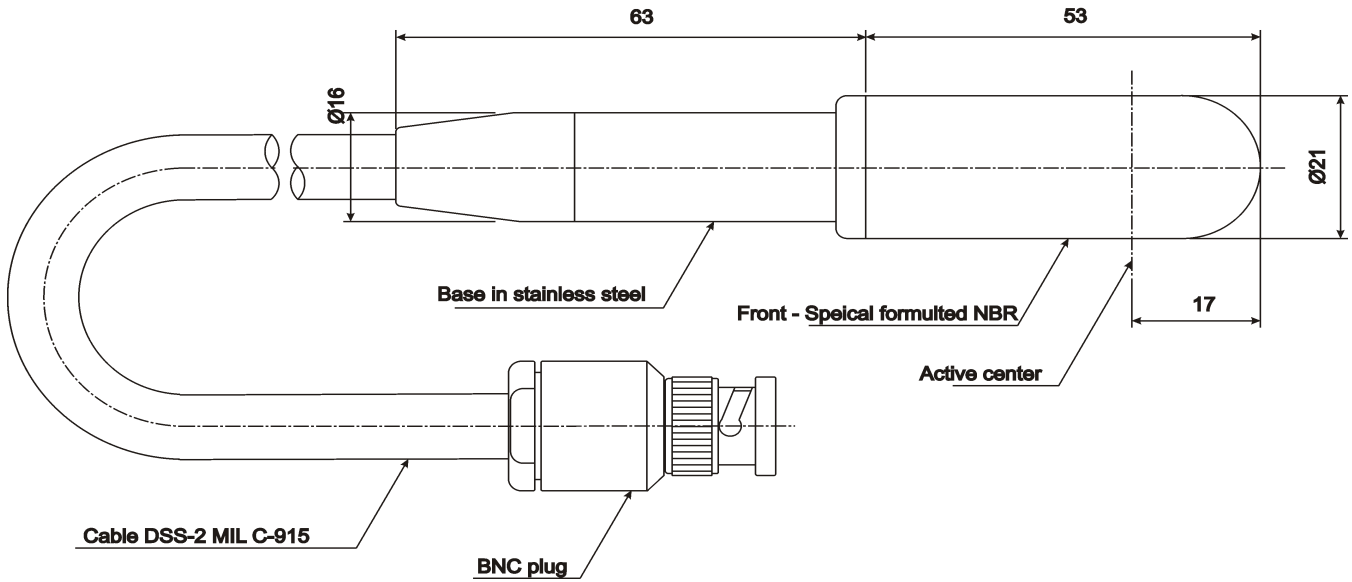
Impedance



# Hydrophone TC4040

## Reference Hydrophone

### Outline Dimensions



RESON reserves the right to change specifications without notice. © 2005 RESON A/S  
For Acoustical Measurement Accuracy please refer to [www.reson.com](http://www.reson.com) or contact sales.

Version: B117 070711 / A4