



2750P
Power Supply
SERIES



24V dc DIN Rail Power Supply

Summary

- DIN Rail Mounting
- Easy install
- Universal input
- RoHs compliant

Ideal for use with the T2750/T2550 and 2500 Programmable Automation Controller series, the 2750P delivers a range of high performance, DIN rail mounted switched-mode power supplies, that easily meet the demanding requirements of modern technical specifications, while remaining cost effective. The highly stable 24 volt dc supplies come in four current ratings 1.3A, 2.1A, 5A and 10A.

A novel retaining system allows easy DIN rail attachment, just insert and click into place, with no tools required for assembly or removal.

The 2750P range has everything neatly arranged on the clearly and well-labelled front panel. The terminals easily accessible, positioned on the front edge of the device.

Using the external diode module the output can be connected in parallel to supply higher currents if required. This feature also allows the adoption of a 'n+1' redundancy strategy, where the failure of a single supply allows other supplies connected in parallel to supply the required load current.

Each unit in the range is fitted with an LED indicating the health of the dc output.

TECHNICAL SPECIFICATIONS

Input	2750P/1A3	2750P/2A1	2750P/5A0	2750P/10A
Supply Voltage	85-230V ac (90-375V dc)		85-230V ac (210-370V dc)	
Supply Frequency	50/60Hz			
Supply Current (115/230V ac)	0.7/0.4A	1.1/0.7A	2.8/1.4A	5.4/2.2A
Inrush Current (115/230V ac)	35/45A	35/50A	24/48A	30/60A

Output	2750P/1A3	2750P/2A1	2750P/5A0	2750P/10A
Output Voltage @ nominal power	24.5V ±1%			
Output Current	1.3 Amps	2.1 Amps	5.0 Amps	10.0 Amps
Ripple	<50mV p-p		<100mV p-p	
Efficiency	84%	86%	86%	89%
Hold up time (230V)	>25ms		>30ms	

General

Temperature	Storage: -25 to +85°C Operation: -10 to +60°C
Humidity	Operating: 20% to 90% RH (non condensing)
Weight:	2750P/1A3: 260g 2750P/2A1: 260g 2750P/5A0: 920g 2750P/10A: 1000g
Dimensions (W x H x D):	2750P/1A3: 45 x 75 x 91mm 2750P/2A1: 45 x 75 x 91mm 2750P/5A0: 63.5 x 125 x 116.6mm 2750P/10A: 83 x 125 x 116mm

EMC

Emissions:	EN61000-6-3; EN55011; EN55022 Class B radiated and Conducted including annex A
Immunity:	EN61000-6-2; EN61000-4-2

Approvals

EN60950-1, UL508 Listed, UL60950-1, CE marked for EMC (89/336/EEC)

ORDERING CODES



Basic Product

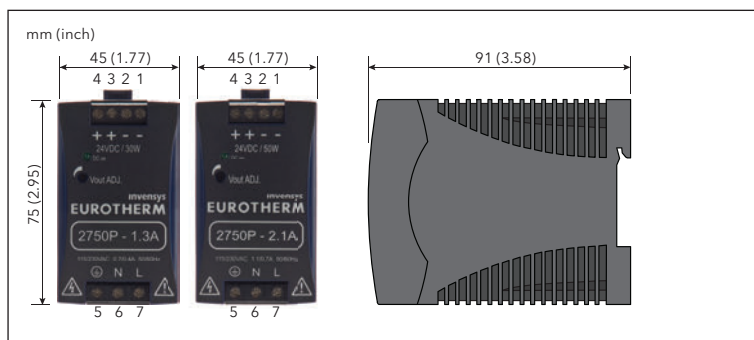
2750P	DIN rail mounting 24V PSU for 2750, fully protected
-------	---

1 Rating

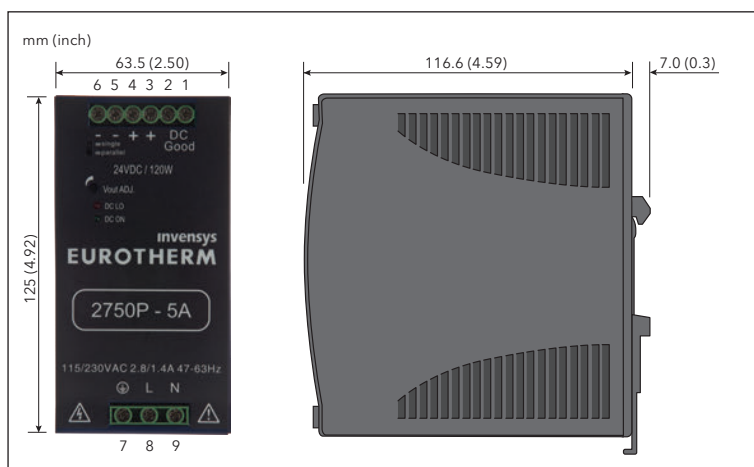
1A3	30 Watt 1.3 Amp supply
2A1	50 Watt 2.1 Amp supply
5A0	120 Watt 5 Amp supply
10A	240 Watt 10 Amp supply
EDM	External ORing Diode Module (for PSU Redundancy)*

*EDM (External ORing Diode) are used to provide Power Supply redundancy by connecting two appropriate PSU outputs together.

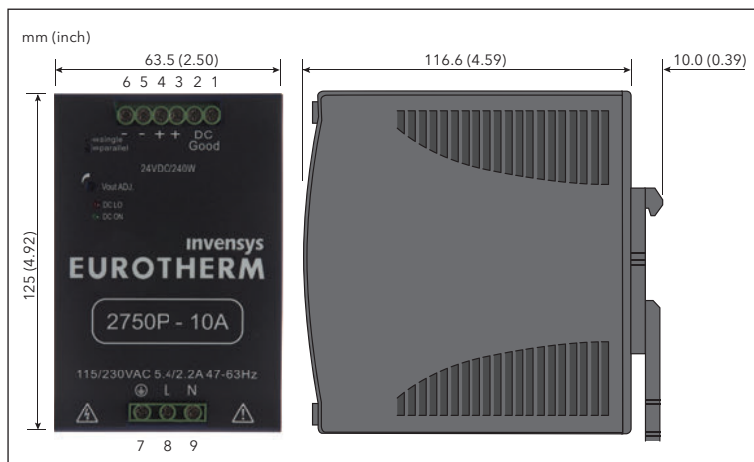
2750P/1A3 and 2750P/2A1 Dimensional Details



2750P/5A0 Dimensional Details



2750P/10A Dimensional Details



invensys