

Bellows Suction Pads (Round)



Bellows Suction Pads FSGPL (1.5 Folds)

Suction area (Ø) from 150 mm to 250 mm



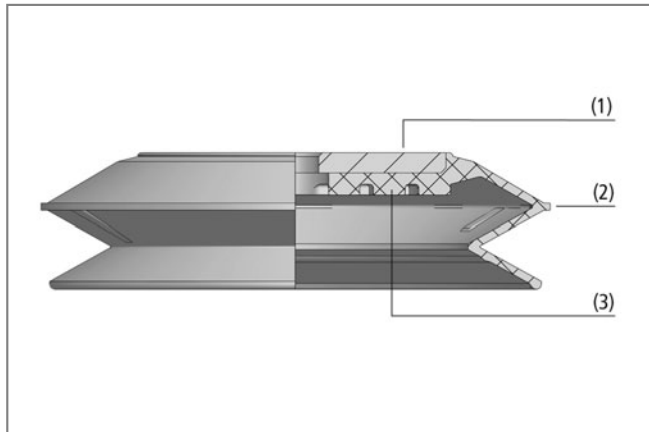
Suitability for Industry-Specific Applications



Bellows suction pads FSGPL (1.5 folds)

Applications

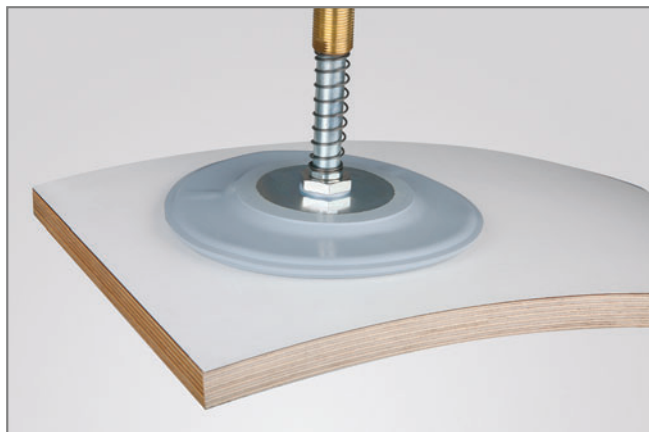
- Round, bellows suction pad with 1.5 folds for handling of cardboard, sheet metal, wood, glass and ceramics
- Handling of workpieces with uneven surfaces (optimal adaptation due to smooth sealing lip)



System design bellows suction pads FSGPL (1.5 folds)

Design

- Suction pad FSGPL with 1.5 folds (2) and vulcanized mounting plate (1)
- Steel mounting plate with female thread
- Lower side of mounting plate covered with an elastomer coating (3)
- Optionally available without threaded hole



Bellows suction pads FSGPL being used for handling coated wood

Our Highlights...

- Large diameter
- Very soft, tapered sealing lip
- 1.5 folds
- Elastomer supports on the bottom

Your Benefits...

- > For use with large, heavy but also sensitive workpieces
- > Good adaptation to curved workpiece surfaces
- > High suction force and damping effect during placement on workpiece
- > No permanent deformation or breakage of easily damaged workpieces

Bellows Suction Pads (Round)



Bellows Suction Pads FSGPL (1.5 Folds)

Suction area (Ø) from 150 mm to 250 mm

Designation Code Bellows Suction Pads FSGPL (1.5 Folds)

Abbreviated designation	Suction area Ø in mm	Material and Shore hardness	Connection thread
Example FSGPL 200 NBR-55 G1/2-IG:			
FSGPL	200	NBR-55	G1/2-IG
FSGPL	150	NBR-55	G1/2-IG (IG = female (F))
	200		
	250		

Ordering Data Bellows Suction Pads FSGPL (1.5 Folds)

Suction pad FSGPL, available in various diameters, is delivered with support plate vulcanized to elastomer part.

Bellows Suction Pads FSGPL (1.5 Folds)

Type*	Part Number
FSGPL 150 NBR-55 G1/2-IG	10.01.06.00101
FSGPL 200 NBR-55 G1/2-IG	10.01.06.00102
FSGPL 250 NBR-55 G1/2-IG	10.01.06.00103

*Additional material specifications at beginning of the section "Vacuum Suction Pads"

Technical Data Bellows Suction Pads FSGPL (1.5 Folds)

Type	Suction force [N]*	Pull-off force [N]	Volume [cm ³]	Min. curve radius [mm] (convex)	Recom. internal hose diameter d [mm]**
FSGPL 150 NBR-55 G1/2-IG	370	500	490	250	12
FSGPL 200 NBR-55 G1/2-IG	850	950	790	350	12
FSGPL 250 NBR-55 G1/2-IG	1610	2000	1590	500	12

*The specified suction forces are theoretical values at a vacuum of -0.6 bar and with a smooth, dry workpiece surface - they do not include a safety factor

**The recommended hose diameter refers to a hose length of approx. 2 m

Bellows Suction Pads (Round)

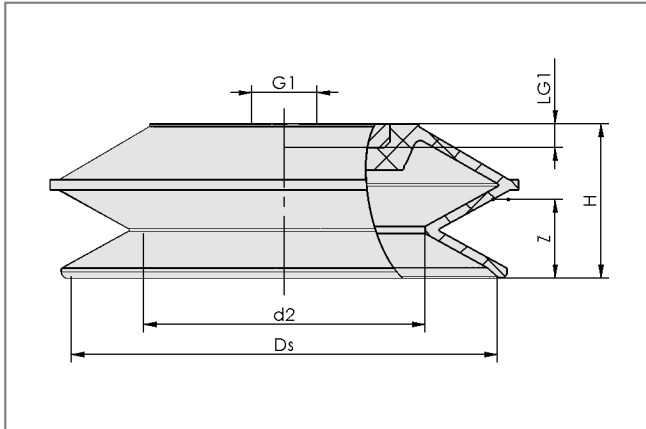


Bellows Suction Pads FSGPL (1.5 Folds)

Suction area (\emptyset) from 150 mm to 250 mm



Design Data Bellows Suction Pads FSGPL (1.5 Folds)



FSGPL 150 to 250

Type	Dimensions in mm*					
	d2	Ds	G1**	H	LG1	Z (Stroke)
FSGPL 150 NBR-55 G1/2-IG	93.0	143.5	G1/2"-F	51	8	35.7
FSGPL 200 NBR-55 G1/2-IG	137.0	191.0	G1/2"-F	54	8	37.2
FSGPL 250 NBR-55 G1/2-IG	186.0	239.3	G1/2"-F	60	8	43.0

*Acceptable dimensional tolerances for rubber parts concerning to DIN ISO 3302-1 M3

**Mounting plate optionally available without drilled holes

Schmalz -
The Company

Vacuum
Knowledge

**Vacuum
Suction Pads**

Special
Grippers

Mounting
Elements

Vacuum
Generators

Valve
Technology

Switches and
Monitoring

Filters and
Connections

Vacuum Grip-
ping Systems

Services

Contact

Index
of Products