

## SWING CHECK VALVES

### RED LINE

marine and offshore  
industry /  
petrochemical  
industry /  
general plants

## SERIES CV



CE In compliance with PED 97/23/EC

## TECHNICAL DETAILS

Wafer design

Self-centering

Light weight and small face to face

Low pressure drop

Easy to install and maintenance

Standard materials: zinc plated carbon steel, stainless steel 316, alu-bronze

Metal/metal seat or soft seal (NBR, EPDM, PTFE, FKM)

Series DN 32 ÷ DN 800

Suitable for flange UNI PN 6, 10, 16, 25 e ANSI 150 RF

Further materials and special execution upon request:

- series ANSI 300 ÷ ANSI 1500 RF e RTJ
- series PN 40 ÷ PN 250

## APPLICATIONS



MARINE AND  
OFFSHORE  
INDUSTRY



PETROCHEMICAL  
INDUSTRY



HEATING



VENTILATION



FIRE  
PROTECTION  
SYSTEM



WATER  
INDUSTRY

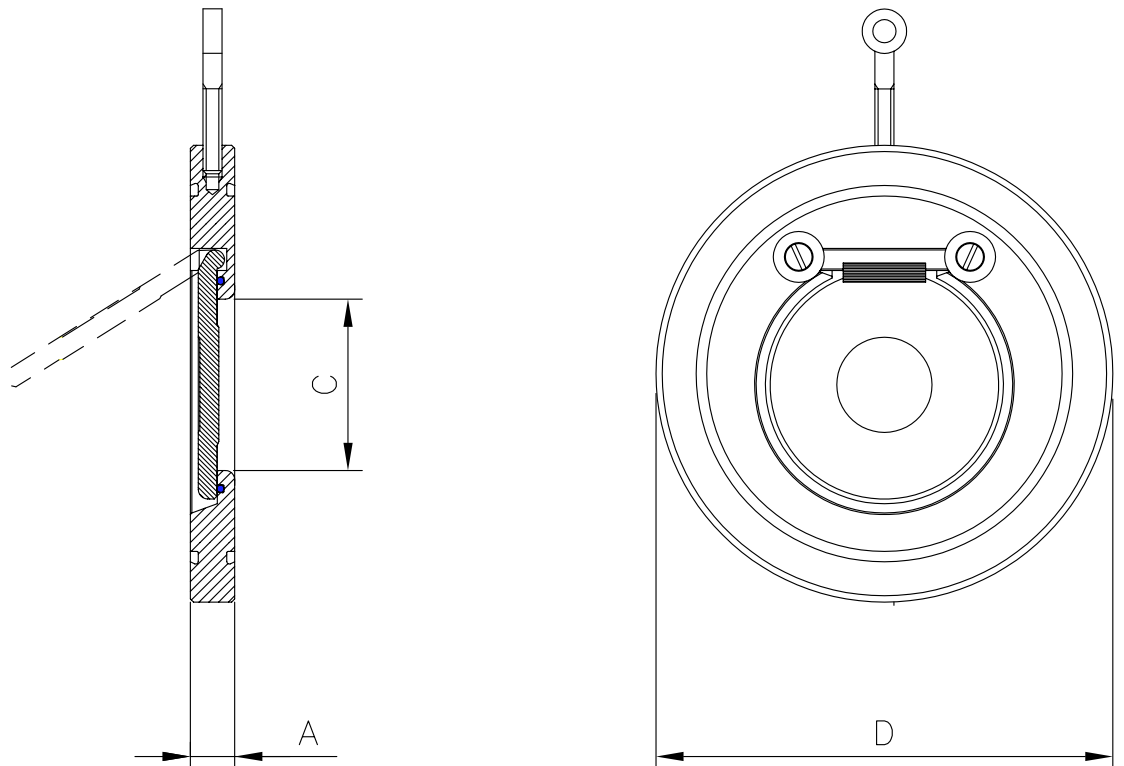
**WORKING PRESSURE**

PN 6	6 Kg/cm <sup>2</sup>	85 Psi
PN 10	10 Kg/cm <sup>2</sup>	142 Psi
PN 16	16 Kg/cm <sup>2</sup>	227 Psi
PN 25	25 Kg/cm <sup>2</sup>	355 Psi
ANSI 150	20 Kg/cm <sup>2</sup>	284 Psi

**MINIMUM OPENING PRESSURE (mbar)**

Flow Direction		DN 32 : DN 150	DN 200 : DN 300	DN 400 : DN 600
Horizontal open 10°	→	3	3	6
Horizontal open 30°	→	9	12	16
Horizontal open 60°	→	13	19	26
Vertical unphill	↑	16	22	32
Vertical downphill	↓	It is not possible to use the valve mounted in this position		

**TECHNICAL DRAWINGS**



## DIMENSIONS

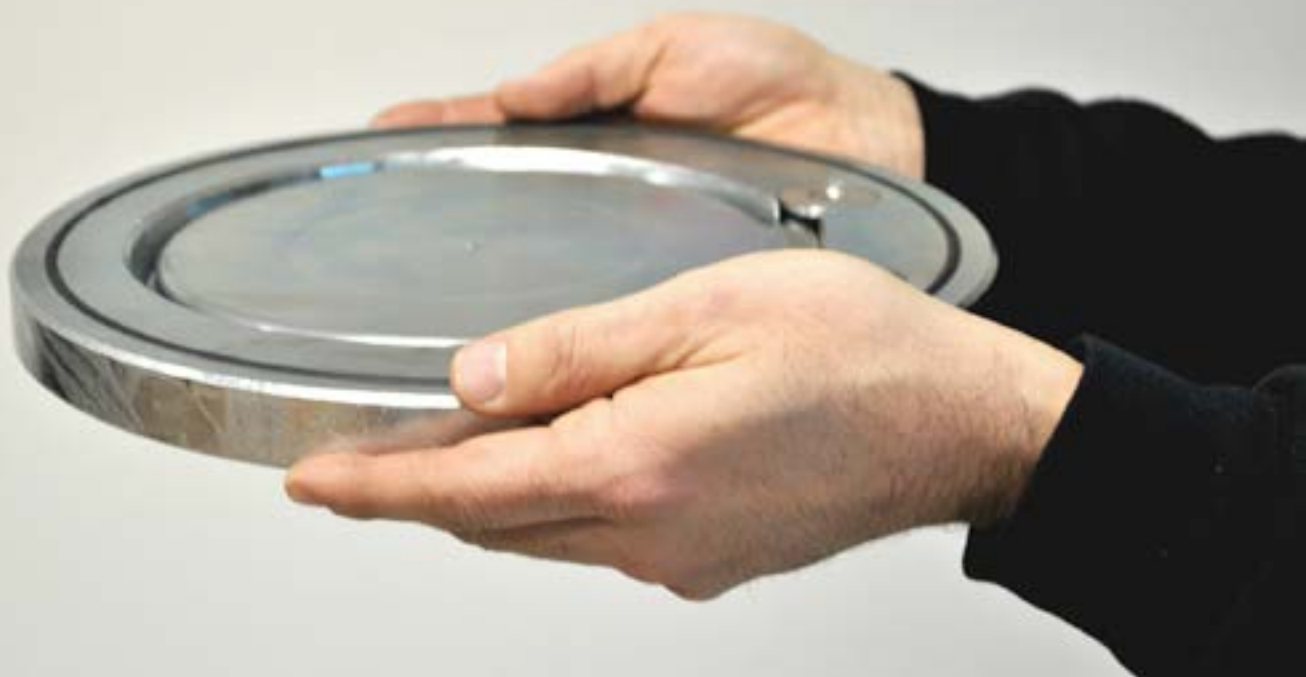
DN		A	C	D	D	D	D	D	WT PN10
mm	inch			PN6	PN10	PN16	PN25	ANSI 150	Kg
32	1" 1/4	14	17	78	84	84	84	76	0,6
40	1" 1/2	14	22	88	95	95	95	86	0,7
50	2"	14	32	98	109	109	109	105	0,9
65	2" 1/2	14	40	118	129	129	129	124	1,2
80	3"	14	54	134	144	144	144	137	1,5
100	4"	18	70	154	164	164	170	175	2,4
125	5"	18	92	184	195	195	198	195	3,4
150	6"	20	112	209	220	220	228	220	4,6
200	8"	22	154	264	275	275	285	279	7,5
250	10"	26	200	319	330	330	340	340	13,1
300	12"	32	240	375	380	387	403	410	20,4
350	14"	38	270	425	440	448	460	448	32,0
400	16"	44	310	475	490	495	514	514	48,0
450	18"	50	360	530	540	557	567	548	63,0
500	20"	56	405	580	595	617	624	605	87,0
600	24"	62	486	680	695	734	731	715	130,0
700	28"	68	580	785	810	805	833	830*	215,0
800	32"	80	670	890	917	911	942	937*	280,0

\* SUITABLE FOR FLANGE MSS SP-44 150 LBS

## MATERIALS

Pos	Component	Q.ty	Material	T max °C	T min °C
1	Body	1	Carb. steel	+250	-10
			SS 316L	+510	-50
			Alu-bronze	+260	-10
2	Clapet	1	Carb. steel	+250	-10
			SS 316L	+510	-50
			Alu-bronze	+260	-10
3	Washer	2	AISI 316	+510	-50
4	Screw	2	AISI316	+510	-50
5	Ext. O-ring	2	NBR	+120	-20
			EPDM	+130	-30
			FKM	+260	-50
			PTFE	+260	-50
6	Int. O-ring	1	As Int. O-ring		
7	Eyebolt	1	Carb. steel		

YES



NO

