



Ex solenoid interlocks

Ex AZM 415 2Ö/2S A

Material number: 1169106 (Material number old: 94353302)

Features/Options:

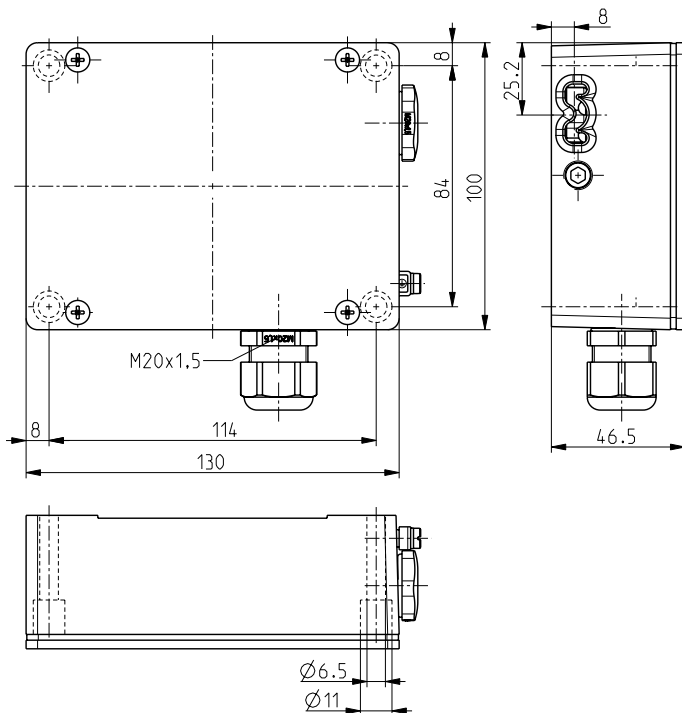
- Ex zone 1 and 21
- Two Ex switch inserts in one enclosure
- Power-to-lock principle
- Problem-free opening of stressed doors by means of bell-crank system

Notes

- The actuator is not included in the delivery of the switches
- 1 additional cable gland M20x1.5 is included in delivery

- High holding force 3500 N
- Ball catch
- Wiring compartment
- N.B.: Please state required international approvals with your order!

Dimensions



Technical data

Standards	EN 60947-5-1; EN ISO 14119; EN 60079-0, EN 60079-1, EN 60079-7, EN 60079-18, EN 60079-31; EN ISO 13849-1
Enclosure	aluminium die-cast, enamel finish
Cover	steel, enamel finish
Actuator/locking bolt	metal zinc/aluminium
Switch type	type 2
Coding level	low coding
Switch insert	Ex 95
Degree of protection	IP 67 to IEC/EN 60529
Contact material	silver
Switching system	slow action, positive break NC contacts \ominus
Switching elements	2 NC/2 NO contacts
Connection	screw connection terminals
Cable cross-section	max. 2.5 mm ² (incl. conductor ferrules)
Cable entry	2 x M20 x 1.5 for cable diameter 5 ... 9 mm
B _{10d} (10 % Load)	2 million
T _M	max. 20 years
U _{imp}	4 kV
U _i	250 V
I _{the}	6 A
I _e /U _e	6 A/250 VAC; 0.25 A/230 VDC







Ex solenoid interlocks

Ex AZM 415 2Ö/2S A

Material number: 1169106 (Material number old: 94353302)

Technical data

Utilisation category	AC-15; DC-13
Max. fuse rating	6 A gG/gN fuse
I_e/U_e solenoid	0.08 A / 24 VDC ± 10 %
Power consumption	max. 12 W (0.25 s)
Ambient temperature	T6: -20 °C ... $+40$ °C; T5: -20 °C ... $+55$ °C
Mechanical life	> 1 million operations
Holding force F	max. 3500 N
Holding force of integrated ball	50 - 200 N, adjustable catch
Impact energy	max. 7 J
Ex marking	⊕ II 2G Ex demb IIC T6/T5 Gb, ⊕ II 2D Ex tb IIIC T80 °C/T95 °C Db IP67/64 IECEX Ex demb IIC T6/T5 Gb, Ex tb IIIC T80 °C/T95 °C Db IP67/64
Approvals	DMT 02 ATEX E 255 X IECEX BVS 07.0018X    
Weight	1000 g

Contact diagram

