

Movitec – High-pressure In-line Pump

Industry Water Waste Water Energy Building Services Mining



Movitec VE



Movitec VCF



Movitec LHS



Horizontal installation



Applications:

- Water supply/treatment
- Spray irrigation and general irrigation
- Brackish water and reverse osmosis applications
- Pressure boosting
- Washing plants
- Filtering systems
- Degreasing baths/ Cleaning systems
- Feed water/condensate transport
- Water circulation and process water transport
- Fire-fighting systems

Further information:

www.ksb.com/products

NEW: Pump size 90

Movitec
ImpDrive V/VS
(speed-controlled)

Movitec – High-pressure In-line Pump

1 Reliable

Product-lubricated plain bearing of tungsten carbide; torsion-resistant pump shroud and confined O-rings.

2 Durable

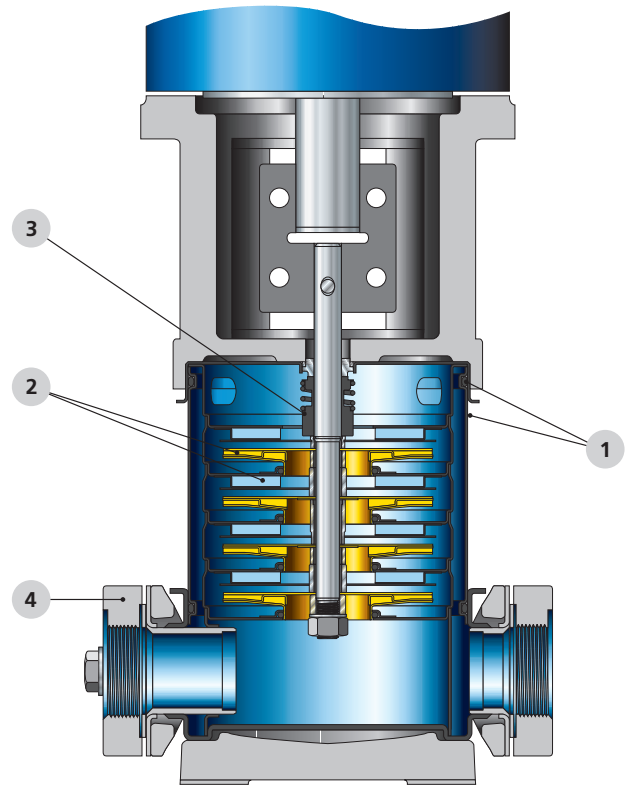
Corrosion-resistant hydraulic components

3 Easy to service

Straightforward replacement of mechanical seal; cartridge seal may be used.

4 Flexible

Various pump sizes, pressure classes, materials and connections



Movitec V / VS



Oval flange
Movitec V



Round flange
Movitec VF



Oval flange
Movitec VS



Round flange
Movitec VSF



Victaulic
connection
Movitec V(S)V



Connection
with external
thread
Movitec VE

| Technical data: | Movitec V | Movitec VS | Movitec VE | Movitec VCF | Movitec LHS | |
|-------------------------------|--------------------------------------|--------------------------------------|------------------------|--------------------------------|------------------------|-------------------|
| Pump size: | 2, 4, 10, 14, 18, 24, 32, 45, 65, 90 | 2, 4, 10, 14, 18, 24, 32, 45, 65, 90 | 2, 4, 10, 14 | 2, 4, 10, 18, 32, 45, 65, 90 | 6 | |
| Max. flow rate: | 112.8 | 112.8 | 11.9 | 112.8 | 8.6 | m ³ /h |
| Max. discharge head | 249 | 249 | 70 | 228 | 401 | m |
| Max. pump discharge pressure: | 25 | 25 | 10 | 25 | 40 | bar |
| Fluid temperature | -15 to +120 | -15 to +120 | -15 to +60 | -15 to +120 | -15 to +120 | °C |
| Materials: | | | | | | |
| Hydraulic system: | Stainless steel 1.4301/1.4308* | Stainless steel 1.4404 / 1.4408* | Stainless steel 1.4301 | Stainless steel 1.4301/1.4308* | Stainless steel 1.4404 | |
| Pump casing: | Stainless steel 1.4301/1.4308* | Stainless steel 1.4401 / 1.4408* | Stainless steel 1.4308 | Cast iron JL 1040 | Stainless steel 1.4408 | |

Automation options: PumpDrive, Hyamaster, hyatronic

* pump size 90

